

Pro

PROF.DR. WALID ABDELGHAFAR



Electro-Mechanical Studies & Design

Prof. Dr. Walid Abdelghaffar

Alexandria

24 Abbas Elhalwany St, ibrahimia, Bab Sharq,
Egypt.

Tel/Fax :+2035916170
www.promep.com.eg

Cairo

127 fourth District,
5 th Settlement, new cairo
Egypt.

promep@promep.com.eg



About us

ProMEP a Consultation Company, providing its quality services to customers in the Middle East and Africa in Electro-Mechanical studies and design.

ProMEP was established back in 2011, and since then it has witnessed steady growth in terms: of number of partners, products, customers/industries served, employees, and revenue.

ProMEP was established to provide consulting services for the design; technical assistance, site supervision, and project management of Electro-Mechanical systems and facilities that assure client requirements are accurately interpreted into functional, economical, and aesthetically pleasing projects.

ProMEP enables you to achieve your project goals - in a broad range of market sectors including mixed-use complexes, hotels, residential towers, infrastructure utilities, airports, hospitals, recreational, tourist, educational buildings, industrial and storage facilities, oil & gas facilities and water / waste water treatment plants.

ProMEP relies on the proven skills of its qualified engineers who, over the past years of consultancy services expertise to the business, lead the company as it establishes itself as a high quality consultant firm.

ProMEP by working closely with the client will develop each project from initial concept through design and site management to final commissioning, testing, balancing, and adjusting of systems and maintenance. Attention to details, technical excellence and a total quality approach are taken with us wherever we go, to whatever type of building.

ProMEP will continue to build on its reputation for quality performance and delivery to meet the challenge and opportunities of the future based on the international standards.

By extending quality support to our partners, **ProMEP** has transferred knowledge and experience to our partners in order to help them to grow their business, and hence achieving targets.

Alexandria

24 Abbas Elhalwany St, Ibrahimia, Bab Sharq,
Egypt.

Tel/Fax :+2035916170
www.promep.com.eg

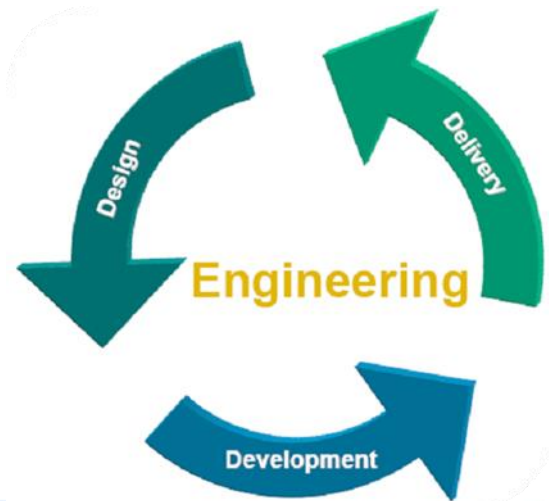
Cairo

127 fourth District,
5 th Settlement, new Cairo
Egypt.

promep@promep.com.eg

Mission

Our goal is to provide the best designs and project management with the greatest service possible according to the international standards, maintaining our dedication to the insert molding technology in our designs. We will continue to refine our quality, expand our capabilities, increase our efficiency, and elevate the superior level of client's service we now provide to improve the standard of excellence we have set in the designs.



Vision

To be premier international Electro-Mechanical consultant

Clients and partners will see us as integral to their success. We are anticipating their needs and deliver on every commitment we make.

People will be proud to work at ProMEP. We are creating opportunities and rewarding success.

Communities will regard us as responsible and responsive. We are integrating global and local perspectives, promoting sound management of resources, and contributing to a better quality of life.



Alexandria

24 Abbas Elhalwany St, ibrahimia, Bab Sharq,
Egypt.

Tel/Fax :+2035916170
www.promep.com.eg

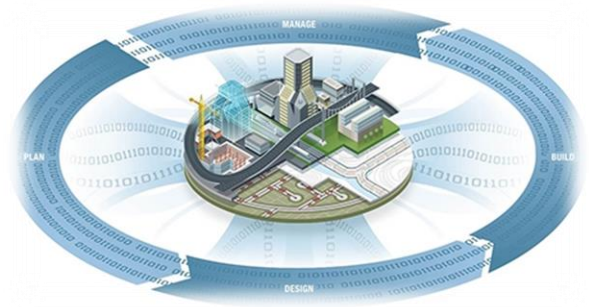
Cairo

127 fourth District,
5 th Settlement, new cairo
Egypt.

promep@promep.com.eg

Services

As specialists in Electro-Mechanical systems and their design and studies, **ProMEP** effectively plans and designs solutions that fulfill project requirements while minimizing operational costs. The firm vast experience and diverse capabilities in this field assures each project is properly planned when completed.



ProMEP Electro-Mechanical services embody client requirements, advanced technology and environmentally sustainable design.

ProMEP Activities

Building Services

- Green Buildings
- Smart home buildings
- Electrical power distribution in buildings, lighting, telephone, sound, security systems (CCTV and access control systems) and all other light current systems
- Heating, Ventilation and Air Conditioning (HVAC)
- Plumbing systems
- Life safety systems including fire alarm, fire protection and smoke evacuation systems
- Building Management Systems (BMS)for intelligent buildings
- Surveillance and intrusion protection systems
- Vertical transportation
- Interactive multimedia networks
- Data networks



Alexandria

24 Abbas Elhalwany St, ibrahimia, Bab Sharq,
Egypt.

Tel/Fax :+2035916170
www.promep.com.eg

Cairo

127 fourth District,
5 th Settlement, new cairo
Egypt.

promep@promep.com.eg

Electrical

- Electrical power generation, transmission and distribution
- MV/LV Electrical Substations and Networks
- Standby Diesel Generator Sets.
- Normal & Emergency Power Supply and Distribution Networks
- Interior & Exterior Lighting Installations
- Power Outlets and Wiring Accessories
- Earthing and Lightning Protection Systems
- Infrastructure electrical systems



Low Current

- Fire Detection and Alarm System
- Telecommunication System
- Public Address and Sound system
- Security Systems including CCTV
- Access control systems
- MATV System
- Intercom System
- Parking control system
- Master Clock System
- BMS
- Intrusion system
- KNX



Alexandria

24 Abbas Elhalwany St, ibrahimia, Bab Sharq,
Egypt.

Tel/Fax :+2035916170
www.promep.com.eg

Cairo

127 fourth District,
5 th Settlement, new cairo
Egypt.

promep@promep.com.eg

HVAC

- Comfort Heating and Cooling
- Refrigeration.
- Building Management System (BMS)
- Kitchen And Laundry Ventilation
- Clean Rooms Application
- Industrial Ventilation
- Cold stores
- Chilled water systems



Fire Fighting

- Fire Fighting Network
- Automatic Fire fighting systems
- Manual Firefighting system
- Aerosol Systems
- Special Fire Systems For Extra Hazardous Areas
- Smoke management system
- Evacuation plans
- Fire risk assessments
- Oil and gas cooling systems



Alexandria

24 Abbas Elhalwany St, ibrahimia, Bab Sharq,
Egypt.

Tel/Fax :+2035916170
www.promep.com.eg

Cairo

127 fourth District,
5 th Settlement, new cairo
Egypt.

promep@promep.com.eg

Plumbing

- Drainage System
- Water Supply system
- Central water heating system
- Storm system
- Natural gas System
- Fuel System
- Compressed Air system
- Medical gases
- Solar heating system



Promep

PROF.DR. WALID ABDELGHAFAR

Alexandria

24 Abbas Elhalwany St, ibrahimia, Bab Sharq,
Egypt.

Tel/Fax :+2035916170
www.promep.com.eg

Cairo

127 fourth District,
5 th Settlement, new cairo
Egypt.

promep@promep.com.eg

Infrastructure & Utility Systems

- Infrastructure and utility systems
- Electrical power generation
- Electrical power distribution networks
- Street and parking lighting
- MV/LV electrical substations
- Roadway and area lighting
- Communication networks
- Potable water networks
- Sewage water networks
- Storm water networks
- Fire Fighting water networks
- Irrigation networks
- Chilled water networks
- District cooling system
- Natural gas network
- Industrial wastewater treatment
- Edible oils wastewater treatment
- Mineral oils wastewater treatment
- Textile wastewater treatment
- Tanning wastewater treatment
- Sewage wastewater treatment
- Seawater desalination by membrane



Alexandria

24 Abbas Elhalwany St, ibrahimia, Bab Sharq,
Egypt.

Tel/Fax :+2035916170
www.promep.com.eg

Cairo

127 fourth District,
5 th Settlement, new cairo
Egypt.

promep@promep.com.eg

Industrial Applications

- Refrigeration / Cold Storage
- Service piping for industrial applications (pure media systems, compressed air, steam, waste water systems etc)
- Piping and tanks for petroleum and chemical projects
- Process control and instrumentation
- Power System Control



Project Management

PROF.DR. WALID ABDELGHAFAR

- Using the latest software in developing, & implementing plans and programs.
- Hiring, and using professional and specialized engineers
- Time management & cost control through preparing schedules, flow charts, follow-up, and updating.
- Project's Revenue and cost control.
- Project evaluations



Alexandria

24 Abbas Elhalwany St, ibrahimia, Bab Sharq,
Egypt.

Tel/Fax :+2035916170
www.promep.com.eg

Cairo

127 fourth District,
5 th Settlement, new cairo
Egypt.

promep@promep.com.eg

Consultation and Report

- Feasibility studies.
 - Preparing marketing feasibility studies and identifying marketing, and selling opportunities.
 - Preparing engineering, productivity, & technical feasibility studies of projects to ensure quality and safety.
 - Preparing economical and financial feasibility study and development of profitability indicators & return on investment.
 - Preparing environmental and legal feasibility study to ensure difficulties and obstacles avoiding.
- Value engineering and cost analysis



Site Supervision

- Technical supervision.
- Specification and quality control.
- Quantity survey, reviewing, and approval.
- Initial and final hand-over.
- Projects test, commissioning and start up



Alexandria

24 Abbas Elhalwany St, ibrahimia, Bab Sharq,
Egypt.

Tel/Fax :+2035916170
www.promep.com.eg

Cairo

127 fourth District,
5 th Settlement, new cairo
Egypt.

promep@promep.com.eg

Marine & Coastal

- Feasibility studies
- Heritage consultancy
- Acoustics, noise & vibration consultancy
- Carbon management
- Development infrastructure
- Marine & coastal development
- Mechanical engineering
- Pipeline & subsea engineering
- Policy planning
- Procurement & supply chain consultancy
- Supply chain management
- Utility services



Energy

- Energy efficiency and carbon management
- Energy management systems
- Energy planning, environmental and economics
- Transmission and distribution (T&D)
- Wind Energy (Power & Renewable)
- Solar Energy (Power & Renewable)
- Oil & Gas process and planets



Alexandria

24 Abbas Elhalwany St, ibrahimia, Bab Sharq,
Egypt.

Tel/Fax :+2035916170
www.promep.com.eg

Cairo

127 fourth District,
5 th Settlement, new cairo
Egypt.

promep@promep.com.eg

Environment

- Air quality
- Alternative delivery solutions
- Corporate advisory & sustainability services
- Environmental, health and safety management
- Environmental Impact assessment studies (EIA)
- Remediation services and site restoration
- Specialty and emerging technologies
- Waste services
- Water and natural resources



Automotive

- Supply chain management.
- Vehicles service center design
- Vehicles service center managements
- Vehicle spare parts production lines
- Diesel Generator Sets
- Light and heavy trucks
- Tractors
- Cranes



Alexandria

24 Abbas Elhalwany St, ibrahimia, Bab Sharq, Egypt.

Tel/Fax :+2035916170
www.promep.com.eg

Cairo

127 fourth District, 5 th Settlement, new cairo Egypt.

promep@promep.com.eg

Food industries

- Dairy factories as milk, yoghurt, white cheese, Edam cheese, rayeb, hard cheese, ghee.
- Processing equipment's
- Dairy filling machines
- Design of Processed cheese factories
- Design of beverage lines including processing equipment's and filling lines
- Water treatment for dairy and beverage products.
- Tomato paste processing and filling lines.
- Jam processing and filling lines.



Special Systems

- Vertical Transportation Systems
- Swimming Pools design
- Central Laundries design
- Central Kitchens design
- Workshops Layouts and Equipment.
- Special Airport Systems.
- Transportation Studies
- Paper production process



Alexandria

24 Abbas Elhalwany St, ibrahimia, Bab Sharq,
Egypt.

Tel/Fax :+2035916170
www.promep.com.eg

Cairo

127 fourth District,
5 th Settlement, new cairo
Egypt.

promep@promep.com.eg

Scope of Services

The Electro-Mechanical Services offered by **ProMEP** are identified as follows:

- Feasibility studies and Systems selection.
- Preliminary and concept design
- Schematic and detailed design and documentation
- Technical Specification, Bill of Quantities and scheduling
- Construction phase services
- Budget estimation
- Post construction evaluation
- Expert witness services
- Design review and Value Engineering
- Testing, commissioning and startup of Electro-Mechanical works
- Equipment and systems start up and commissioning
- Shop drawings.
- As – built drawings
- Project Management



PROF.DR. WALID ABDEL GHAFAR

Deliverables

ProMEP provides the following documents as part of the design and project management process for various types of projects:

- Design analysis reports, drawings and calculation sheets.
- Tender drawings, bills of quantities, specifications, contract conditions and tender procedures plan.
- Tender analysis (Technical analysis, financial analysis and recommendations).



Alexandria

24 Abbas Elhalwany St, ibrahimia, Bab Sharq,
Egypt.

Tel/Fax :+2035916170
www.promep.com.eg

Cairo

127 fourth District,
5 th Settlement, new cairo
Egypt.

promep@promep.com.eg

Projects

ProMEP enables you to achieve your project goals - in a broad range of market sectors including mixed-use complexes, hotels, residential towers, infrastructure utilities, airports, hospitals, recreational, tourist, educational buildings, industrial and storage facilities, oil & gas facilities, solar energy, energy management, water / waste water and project management.



Alexandria

24 Abbas Elhalwany St, ibrahimia, Bab Sharq,
Egypt.

Tel/Fax :+2035916170
www.promep.com.eg

Cairo

127 fourth District,
5 th Settlement, new cairo
Egypt.

promep@promep.com.eg

Project

- Administration Building
- Automotive Work Shop
- Educational
- Energy Management
- Commercial Building
- Industrial facilities
 - Pharmaceutical
 - Beverage
 - General
- Infrastructure
- Hospitals
- Power Plants Educational
- Ports
- Oil& Gas Plants
- Residential
- Solar Energy
- Swimming Pools& Aqua
- Water &Waste Water Treatment Plants
- Project Management

Alexandria

24 Abbas Elhalwany St, ibrahimia, Bab Sharq,
Egypt.

Tel/Fax :+2035916170
www.promep.com.eg

Cairo

127 fourth District,
5 th Settlement, new cairo
Egypt.

promep@promep.com.eg

Administration Building

Mantrac Administration building, Stores and Workshop

Project Data The project comprises of the total area 25000 m2, distributed on Administration building (basement, First, Second and Third), store and workshop

Location 10th of Ramadan, Egypt.

Field of Work Electro-Mechanical design (HVAC- Plumbing- Fire Fighting- and Electrical design)

Supervision YES.



ATC Administration Head Office -5th complex

Project Data The project is a show room, administration building of two floors, waiting area, parking area, stores, workshops for mechanical, electrical, and body work.

Location Alexandria, Egypt

Field of Work Electro-Mechanical work (HVAC, Firefighting, Electrical work, Plumbing and workshop equipment specifications)

Supervision NO.



Capital Business Park -6th October

Project Data The project is an office, administration building of one floor.

Field of Work Electro-Mechanical work (HVAC, Firefighting, Electrical work, Plumbing system)

Supervision yes.



Alexandria

24 Abbas Elhalwany St, ibrahimia, Bab Sharq, Egypt.

Tel/Fax :+2035916170
www.promep.com.eg

Cairo

127 fourth District, 5 th Settlement, new cairo Egypt.

promep@promep.com.eg

Administration Building

HOLDING COMPANY FOR MARITIME AND LAND TRANSPORT.

Project Data The project comprises the main store of the Holding Company for Maritime and Land Transport.

Location Alexandria, EGYPT

Field of Work The lighting system and irrigation system

Supervision NO



MINISTRY OF JUSTICE - MINISTRIES BUILDING- NEW CAPITAL- GOVERNMENTAL DISTRICT- EGYPT

Project Data The project comprises the main building of Ministry of Justice in New Capital- Governmental district.

Location New Capital, EGYPT

Field of Work Electro-Mechanical work (HVAC, Firefighting, Electrical work, Plumbing system) shop drawings



Supervision NO

Alexandria

24 Abbas Elhalwany St, ibrahimia, Bab Sharq,
Egypt.

Tel/Fax :+2035916170
www.promep.com.eg

Cairo

127 fourth District,
5 th Settlement, new cairo
Egypt.

promep@promep.com.eg

REDCON ADMINISTRATIVE BUILDING (174) NEW CAIRO.

Project Data The project comprises one of the biggest administrative building of Redcon development co. with total area 3765 m2 in new Cairo Egypt.

Location New Cairo, EGYPT

Field of Work Design of Electro-Mechanical (HVAC- Plumbing- Fire Fighting- BMS- Electrical and light current systems)

Supervision Yes



MADKOUR EPC COMPANY

Project Data Madkour EPC is a result of more than 30 years of experience in engineering, procurement and construction. Founded by Dr. Mostafa Madkour and his team of highly experienced managers. Madkour provides the market with the professional services needed for optimized turnkey infrastructure projects. The project consists of the main 2 administration buildings for the company in new Cairo B01 and B02.

Location New Cairo, Egypt.

Field of Work Electromechanical Shop drawing (Electrical, light current systems, HVAC, firefighting, plumbing) for B01-B02

Supervision NO



Alexandria

24 Abbas Elhalwany St, ibrahimia, Bab Sharq,
Egypt.

Tel/Fax :+2035916170
www.promep.com.eg

Cairo

127 fourth District,
5 th Settlement, new cairo
Egypt.

promep@promep.com.eg

EL SEWEDY FACTORY (ADMINISTRATION BUILDING)

Project Data The project comprises of the total area 16500 m² & one of the biggest factories in Egypt, distributed on Administration building, storages, pump room ...etc.

Location 10th of Ramadan, Egypt

Field of Work administration building Electro-Mechanical design of lighting, power, telephone, data, CCTV, fire alarm, HVAC, plumbing; firefighting and fire alarm system

Supervision YES.



SASCO- (ADMINISTRATION BUILDING)

Project Data The project is an administration building in Bahrein, the land area is 2625 m².

Location Bahrein

Field of Work administration building Electro-Mechanical design of lighting, power, telephone, data, CCTV, fire alarm, HVAC, plumbing; firefighting and fire alarm system

Supervision NO



Alexandria

24 Abbas Elhalwany St, ibrahimia, Bab Sharq,
Egypt.

Tel/Fax :+2035916170
www.promep.com.eg

Cairo

127 fourth District,
5 th Settlement, new cairo
Egypt.

promep@promep.com.eg

Bank Building

BANK ABC (INCORPORATED AS ARAB BANKING CORPORATION B.S.C)

Project Data The project comprises of Bank ABC (incorporated as Arab Banking Corporation B.S.C) headquarter in EGYPT

Location 5th Settlement, New Cairo, Cairo - Egypt

Field of Work Electro-Mechanical (HVAC- Plumbing- Irrigation- Fire Fighting- BMS- Electrical and light current systems) Testing and commissioning as REDCON contractor Consultant

Supervision YES.



CIB - COMMERCIAL INTERNATIONAL BANK CIB EGYPT

Project Data The project comprises of CIB - Commercial International Bank CIB Egypt- Abbas Elakkad branch

Location Abbas Elakkad St., Cairo, Egypt

Field of Work HVAC system design

Supervision YES.



BANK AUDI

Project Data The project comprises of Bank Audi headquarter in EGYPT

Location 5th Settlement, New Cairo, Cairo - Egypt

Field of Work Electro-Mechanical (HVAC- Plumbing- Irrigation- Fire Fighting- BMS- Electrical and light current systems) Testing and commissioning as REDCON contractor Consultant

Supervision YES.



Alexandria

24 Abbas Elhalwany St, ibrahimia, Bab Sharq, Egypt.

Tel/Fax :+2035916170
www.promep.com.eg

Cairo

127 fourth District, 5 th Settlement, new cairo Egypt.

promep@promep.com.eg

SUEZ CANAL BANK –GIZA BRANCH

Project Data The project comprises of Suez Canal Bank – Giza branch in EGYPT

Location Giza- Egypt

Field of Work Electro-Mechanical (HVAC- Plumbing- Fire Fighting- BMS- Electrical and light current systems) design

Supervision YES.



ProMESH
PROF.DR. WALID ABDELGHAFAR

Alexandria

24 Abbas Elhalwany St, ibrahimia, Bab Sharq,
Egypt.

Tel/Fax :+2035916170
www.promep.com.eg

Cairo

127 fourth District,
5 th Settlement, new cairo
Egypt.

promep@promep.com.eg

Automotive work shop

SKODA SERVICE CENTER (CARFIX)

Project Data The project is a show room, administration building of two floors, waiting area, parking area, stores, workshops for mechanical, electrical, and body work.

Location Alexandria, Egypt

Field of Work (General Consultant), Electro-Mechanical work (HVAC, Firefighting, Electrical work, m, Plumbing and workshop equipment specifications)

Supervision YES.



MICAR MENA

Project Data The project comprises of an approved car service center for Nissan Company including all maintenance process of 28450 m2

Location Cairo, Egypt.

Field of Work Electro-Mechanical work, HVAC, Plumbing, Fire Fighting, and Electrical

Supervision NO.



EGYAUTO (HYUNDAI) CAR SERVICE CENTER

Project Data The project comprises of an approved car service center for Hyundai Company including all maintenance process.

Location Cairo, Egypt.

Field of Work Electro-Mechanical work, HVAC, Plumbing, Fire Fighting, Electrical and workshop equipment specifications

Supervision YES.



Alexandria

24 Abbas Elhalwany St, ibrahimia, Bab Sharq, Egypt.

Tel/Fax :+2035916170
www.promep.com.eg

Cairo

127 fourth District,
5 th Settlement, new cairo
Egypt.

promep@promep.com.eg

Automotive work shop

ELHOUSARY (SPERANZA) CAR SERVICE CENTER.

Project Data The project comprises of an approved car service center for Speranza Company including all maintenance processes.

Location Damanhur- Behira – Egypt.

Field of Work Electro-Mechanical work, HVAC, Plumbing, Fire Fighting, Electrical and management system

Supervision YES.



SAWARY AL MADINA

Project Data The project comprises of 750 m²

Location Al Madina, Saudi Arabia Kingdom

Field of Work Electro-Mechanical design (HVAC- Plumbing- Fire Fighting- and Electrical

Supervision NO



NISSAN CAR SERVICE CENTER

Project Data The project comprises three floors mall

Location Gharbia, Egypt.

Field of Work Electro-Mechanical work, HVAC, Plumbing, Fire Fighting, Electrical and elevators Systems

Supervision YES



Alexandria

24 Abbas Elhalwany St, ibrahimia, Bab Sharq, Egypt.

Tel/Fax :+2035916170
www.promep.com.eg

Cairo

127 fourth District, 5 th Settlement, new cairo Egypt.

promep@promep.com.eg

Automotive work shop

**GARAGE OF ALEXANDRIA
GOVERNOR**

Project Data The project area of about 36000 m².

Location Alexandria, Egypt.

Field of Work Firefighting and fire alarm design

Supervision YES.



Alexandria

24 Abbas Elhalwany St, ibrahimia, Bab Sharq,
Egypt.

Tel/Fax :+2035916170
www.promep.com.eg

Cairo

127 fourth District,
5 th Settlement, new cairo
Egypt.

promep@promep.com.eg

KING ABDULAZIZ UNIVERSITY- COLLEGE OF NURSING

Project Data The project comprises a new College of Nursing of an area of about 22000 m², in 3 floors

Location Jeddah, Kingdom of Saudi Arabia.

Field of Work Communications & Security systems, Electrical, Light current, HVAC, Medical gases, Elevators, Plumbing

Supervision YES.



SAUDI ELECTRONIC UNIVERSITY

Project Data The project comprises 15000 m² in 3 floors

Location Madina, KSA

Field of Work Communications & Security systems, Electrical, Light current, HVAC, Elevators, Plumbing and water treatment

Supervision NO.

الجامعة السعودية الإلكترونية
Saudi Electronic University



ALEXANDRIA UNIVERSITY ADMINISTRATION BUILDING

Project Data The project comprises the main administration building of Alexandria University.

Location Alexandria, Egypt

Field of Work Fire Fighting & Fire Alarm and escaping roads Systems

Supervision YES.



Alexandria

24 Abbas Elhalwany St, Ibrahimia, Bab Sharq,
Egypt.

Tel/Fax : +2035916170
www.promep.com.eg

Cairo

127 fourth District,
5 th Settlement, new Cairo
Egypt.

promep@promep.com.eg

Educational Building

FACULTY OF PHYSICAL EDUCATION FOR GIRLS

Project Data The project comprises of the main
GYM classroom

Location Alexandria, Egypt.

Field of Work Air Conditioning System

Supervision NO.



SOUDAN UNIVERSITY

Project Data The project comprises of the two
floor, Ground & First floor

Location al Khartoum, Soudan.

Field of Work Air Conditioning System & Electrical
system

Supervision NO.



GOETHE INSTITUTE, EGYPT

Project Data "Goethe institute " is located
on Dokki District, Cairo, (850 m2) a cultural
institute working in the whole world governed by
the German government, enhancement of
German Language learning.

Location Egypt

Field of Work Plumping System.

Supervision Yes.



Alexandria

24 Abbas Elhalwany St, ibrahimia, Bab Sharq,
Egypt.

Tel/Fax :+2035916170
www.promep.com.eg

Cairo

127 fourth District,
5 th Settlement, new cairo
Egypt.

promep@promep.com.eg

El FANAR UNIVERSITY



Project Data The project comprises of total area of 120,000 m2. The project includes seven faculties, research center and main administration building.

Location Alexandria, Egypt.

Field of Work ProMEP design Scope is Electro-Mechanical design of lighting, power, telephone, data, CCTV, fire alarm, KNX, intrusion system, access doors, BMS, lightening system, earthing system, HVAC, water supply, sewage system, firefighting system and utility systems. In addition to Infra structure, solar energy and energy management systems.

Supervision YES.

Alexandria

24 Abbas Elhalwany St, ibrahimia, Bab Sharq,
Egypt.

Tel/Fax :+2035916170
www.promep.com.eg

Cairo

127 fourth District,
5 th Settlement, new cairo
Egypt.

promep@promep.com.eg

ALAMEIN UNIVERSITY (NEW CITY ALAMEIN)

Project Data The project comprises of total area 30790 m2, of the tower Consists of (Upper Ground & Lower Ground and 42 Floor typical) distributed in Residential, commercial and Entertainment buildings.

Field of Work Contractor consultant for engineering work (Electrical, Light current, HVAC, Elevators, Plumbing, Firefighting, swimming pools, waste water treatment station) shop drawings and calculations.

Location Alamein , Egypt.

Supervision NO.



EGYPT-JAPAN UNIVERSITY OF SCIENCE AND TECHNOLOGY

Project Data E-JUST was established in 2009, based on the agreement between the Egypt and the Japanese governments.

Field of Work Thermal stress analysis for the stack including sections and supports in the duct of the chimney inside the Chiller Room and started at the end each branch coming from the chillers. 3-D model to investigate the thermal stresses on the body of the chimney and determine the maximum stresses and deformation under the given conditions and dimensions.

In additional to Firefighting design system

Location Borg El Arab, Alexandria, Egypt.

Supervision NO.



Alexandria

24 Abbas Elhalwany St, ibrahimia, Bab Sharq,
Egypt.

Tel/Fax :+2035916170
www.promep.com.eg

Cairo

127 fourth District,
5 th Settlement, new cairo
Egypt.

promep@promep.com.eg

SMART INTERNATIONAL SCHOOL

Project Data The project comprises one of the new categories of schools in Egypt as a biggest international school in Alexandria, Egypt

Field of Work Design of complete Electro-Mechanical package (Electrical, Light current, HVAC, Elevators, Plumbing, Firefighting systems)

Location Alexandria, Egypt.

Supervision YES.



PROF.DR. WALID ABDELGHAFAR

Alexandria

24 Abbas Elhalwany St, ibrahimia, Bab Sharq,
Egypt.

Tel/Fax :+2035916170
www.promep.com.eg

Cairo

127 fourth District,
5 th Settlement, new cairo
Egypt.

promep@promep.com.eg

FIRSTGROUP CO. FOR INDUSTRIAL DEVELOPMENT S.A.E

Project Data The project comprises a new factory called FIRST-STAR factory and is one of the biggest corrugated paper factory in Egypt

Location ElOubour, Cairo, Egypt

Field of Work (**General Consultant**) and Energy Management of the group including 7 factories.

Supervision YES.



SAKR GROUP FOR FOOD INDUSTRIES

Project Data The project comprises the 7 factories which has employs over 1500 people.

Location Alexandria, Egypt.

Field of Work Energy Management of the group including 7 factories.

Supervision YES



Alexandria

24 Abbas Elhalwany St, ibrahimia, Bab Sharq, Egypt.

Tel/Fax :+2035916170
www.promep.com.eg

Cairo

127 fourth District, 5 th Settlement, new cairo Egypt.

promep@promep.com.eg

Pharmaceutical

Industrial facilities

BIOGENERIC PHARMA S.A.E



Project Data Biogeneric Pharma S.A.E (BGP) is a bio-pharmaceutical manufacturing company specialized in the development, production and marketing of “off Patent” biotech drugs to improve the quality of lives.

BGP has established platforms of technologies in genetic engineering therapeutic proteins by using its and collaborative advanced proprietary biochemistry, molecular & cell biology to challenge life-threatening diseases such as Hepatitis C and Cancer.

Location 10th Ramadan City, Egypt.

Field of Work (**General Consultant**) and design of (Electro-Mechanical work) Communications & Security systems, Electrical, Light current, HVAC, Elevators, Plumbing, water treatment, infrastructure, industrial waste water treatment, steam system, pure media system, air system and storing system in additional to project general consultant.

Supervision YES.

Alexandria

24 Abbas Elhalwany St, ibrahimia, Bab Sharq,
Egypt.

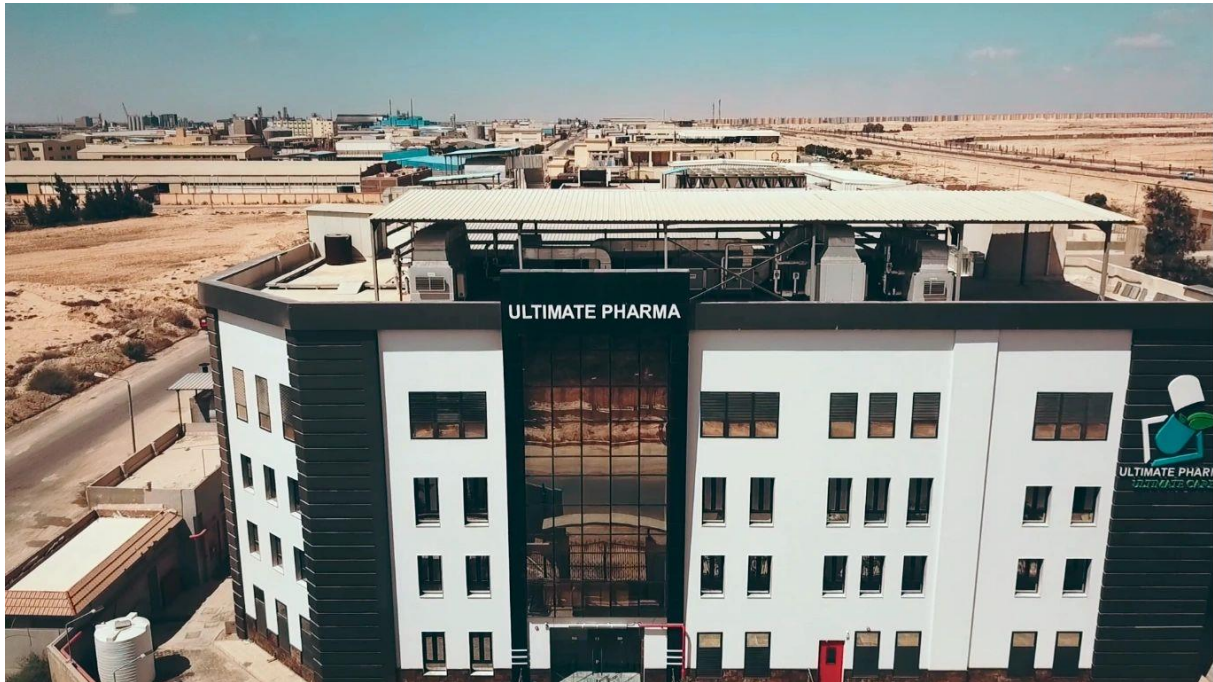
Tel/Fax :+2035916170
www.promep.com.eg

Cairo

127 fourth District,
5 th Settlement, new cairo
Egypt.

promep@promep.com.eg

ULTIMATE PHARMA FACTORY



Project Data The project comprises of total area 17000 m² which is specialized in production of pharmaceutical sterile products

Location Alexandria, Egypt.

Field of Work design of Communications & Security systems, Electrical, Light current, HVAC, Elevators, Plumbing, water treatment, steam system, pure media system, air system and storing system in addition to project management.

Supervision YES.

Alexandria

24 Abbas Elhalwany St, ibrahimia, Bab Sharq,
Egypt.

Tel/Fax :+2035916170
www.promep.com.eg

Cairo

127 fourth District,
5 th Settlement, new cairo
Egypt.

promep@promep.com.eg

Pharmaceutical

PHARCO AMRIYA PHARMACEUTICALS

Project Data Amriya Pharmaceutical Industries is the third private Egyptian shareholding pharmaceutical companies, established in 1984 and started production in 1989. Amriya Pharmaceutical Industries was acquired by Pharco Corporation in 2002.

Location Amriya, Alexandria, Egypt.

Field of Work Firefighting and Alarm Systems Design for the different facilities.

Supervision YES



Industrial facilities

MANSOUR SULTAN ALNEMI, PHARMACEUTICAL INDUSTRY

Project Data The project comprises of total area 6000 m2 which is specialized in production of pharmaceutical products.

Location QATAR

Field of Work Communications & Security systems, Electrical, and Light current systems

Supervision NO



LEVEN FACTORY

Project Data The project comprises of total area 2800 m2 which is specialized in production of Cream, Hair gel, and shampoo and hair oil.

Location Alexandria, Egypt

Field of Work HVAC, Fire Fighting, Electrical work, air system, Steam System, Pure Media Systems, partitions and plumbing

Supervision YES



Alexandria

24 Abbas Elhalwany St, ibrahimia, Bab Sharq, Egypt.

Tel/Fax :+2035916170
www.promep.com.eg

Cairo

127 fourth District,
5 th Settlement, new cairo
Egypt.

promep@promep.com.eg

Pharmaceutical

PFIZER EGYPT

Project Data a new facility for storage and a new receiving area

Location Almaza, Cairo, Egypt.

Field of Work Firefighting and Alarm Systems review and auditing, Electro-Mechanical Design for a new facility and new receiving area in addition to a new solar station.

Supervision Yes.



Industrial facilities

AMECO FACTORY

Project Data The project comprises of total area 3200 m2 which is specialized in production of pharmaceutical sterile products

Location Borg El Arab, Alexandria.

Field of Work (**General Consultant**) and design of Communications & Security systems, Electrical, Light current, HVAC, Elevators, Plumbing, water treatment, steam system, pure media system, air system and storing system in addition to project management.



Supervision YES

Alexandria

24 Abbas Elhalwany St, ibrahimia, Bab Sharq, Egypt.

Tel/Fax :+2035916170
www.promep.com.eg

Cairo

127 fourth District, 5 th Settlement, new cairo Egypt.

promep@promep.com.eg

Pharmaceutical

Industrial facilities

MULTICARE EGYPT FOR PHARMACEUTICAL INDUSTRIES

Project Data a new factory of pharmaceutical for solid, semisolid and eye drops products

Location Plot 39, 3rd Settlement, Industrial Zone, New Cairo, Egypt.

Field of Work Concept Design and Electromechanical system (Communications & Security systems, Electrical, Light current, HVAC, Plumbing, steam system, pure media system, air system and storing system) .

Supervision Yes.



INTRAPHARMA FACTORY



Project Data The project comprises of the total area 16340 m2, distributed on (3 floors Administration , 2 floors production ,1 floor storing ware house)buildings.

Location Borg el arab – Alexandria- Egypt.

Field of Work HVAC & Industrial piping system

Supervision NO .

Alexandria

24 Abbas Elhalwany St, ibrahimia, Bab Sharq,
Egypt.

Tel/Fax :+2035916170
www.promep.com.eg

Cairo

127 fourth District,
5 th Settlement, new cairo
Egypt.

promep@promep.com.eg

Pharmaceutical

Industrial facilities

PHARCO B PHARMACEUTICALS

Project Data Pharco B International is a private Egyptian shareholding pharmaceutical company created to exclusively produce Cephalosporin antibiotics for the local market and for Export. PBI has about 1200 employees

Location Borg el Arab, Alexandria, Egypt.

Field of Work Firefighting and Alarm.

Supervision Yes.



ANDALOUS PHARMACEUTICALS

Project Data AL Andalous pharmaceutical Company is One of the market leader pharmaceutical companies in Egypt with the highest growth level which serves many therapeutic areas.

Location 6th of October, Cairo, Egypt.

Field of Work Firefighting and Fire alarm.

Supervision Yes.



Alexandria

24 Abbas Elhalwany St, ibrahimia, Bab Sharq,
Egypt.

Tel/Fax :+2035916170
www.promep.com.eg

Cairo

127 fourth District,
5 th Settlement, new cairo
Egypt.

promep@promep.com.eg

Pharmaceutical

Industrial facilities

VIG (VETERINARY INVESTMENT GROUP) PHARMACEUTICALS

Project Data VIG (VETERINARY INVESTMENT GROUP) is one of the biggest pharmaceutical factory in Borg el Arab in Alexandria.

Location Borg el Arab, Alexandria, Egypt.

Field of Work Firefighting and Fire Alarm systems.

Supervision Yes.



SAFE PHARMACEUTICALS

Project Data the company covered area is about 9000 square feet with double story building. In ground floor tablet Liquid Department Raw material store and packing material stores located. First floor consists of Liquid injectable area psychotropic tablet department and general capsule area. Second floor is dedicated to cephalosporin Area products. Dry powder cephalosporin injectable Dry syrups and capsules departments. On the roof 3 A air handling units are installed while water treatment plants containing R.O. Plant a later distilled water plant and DI water plants exists the whole distilled water circulations is through loop system maintaining water temp at 80oC.

Location Borg el Arab, Alexandria, Egypt.

Field of Work Design review of Firefighting and fire Alarm system.

Supervision of fire alarm system



Alexandria

24 Abbas Elhalwany St, ibrahimia, Bab Sharq,
Egypt.

Tel/Fax :+2035916170
www.promep.com.eg

Cairo

127 fourth District,
5 th Settlement, new cairo
Egypt.

promep@promep.com.eg

Beverages

SAKR GROUP FOR FOOD INDUSTRIES

Project Data The project comprises the 7 factories which has employs over 1500 people.

Location Alexandria, Egypt.

Field of Work Firefighting, water treatment station, industrial waste water treatment station HVAC and industrial mechanical and electrical utilities and cooling systems

Supervision YES

Industrial facilities



EGYPT FOODS

Project Data The project is a group of buildings belong to Egypt Foods Group at Industrial Mubarak Zone comprise of 6 factories, 2 administration buildings, warehouse and car service center.

Location Monofiya, Egypt

Field of Work Electro-Mechanical work (HVAC, Fire fighting, Electrical work, Plumbing, Elevators and care service center).

Supervision YES



LAMAR

Project Data The project is the installation of an extra TETRAPACK production line in Lamar Factory

Location Nuberia, Behira, Egypt

Field of Work Piping work of Steam line; Condensate line; Water lines; Chilled water line; Ice water line; Sanitary Airline; Compressed Airline

Supervision YES



THE FARM

Alexandria

24 Abbas Elhalwany St, ibrahimia, Bab Sharq, Egypt.

Tel/Fax :+2035916170
www.promep.com.eg

Cairo

127 fourth District, 5 th Settlement, new cairo Egypt.

promep@promep.com.eg

Beverages

Industrial facilities

ALEXANDRIA SUGAR COMPANY (ASC)

Project Data The project comprises of a complete sugar production line in one factory of 1,092,000 m2 in Elnobaria region in Alexandria, Egypt.

Location Alexandria, Egypt.

Field of Work Firefighting and Alarm systems.

Supervision YES



ALEXANDRIA FLOUR MILLS COMPANY

Project Data The project comprises 4 factories of Alexandria Flour Mills for 4 factories including the production, storing and administration buildings in Alexandria, Egypt

Location Alexandria, Egypt.

Field of Work Automatic alarm system for 4 factories.

Supervision NO



Alexandria

24 Abbas Elhalwany St, ibrahimia, Bab Sharq,
Egypt.

Tel/Fax :+2035916170
www.promep.com.eg

Cairo

127 fourth District,
5 th Settlement, new cairo
Egypt.

promep@promep.com.eg

Beverages

Industrial facilities

MARS COMPANY EGYPT (CHOCOLATE FACTORY)

Project Data The projects comprises HVAC system review and upgrading for the production area in Industrial Zone 3, 6th October City.

Location 6th of October, Egypt

Field of Work HVAC System.

Supervision YES



HEINZ EGYPT

Project Data The projects comprises Firefighting system evaluation and test and commissioning Industrial Zone 2, 6th October City.

Location 6th of October, Egypt

Field of Work Fire Fighting System.

Supervision NO



Alexandria

24 Abbas Elhalwany St, ibrahimia, Bab Sharq,
Egypt.

Tel/Fax :+2035916170
www.promep.com.eg

Cairo

127 fourth District,
5 th Settlement, new cairo
Egypt.

promep@promep.com.eg

Beverages

UNILEVER

Project Data The project comprises of the tea factory in Alexandria.

Location Borg elarab, Alexandria Egypt.

Field of Work HVAC system as built, evaluation, Cooling load calculations, system upgrading for the Tea Factory production Area, air system and vacuum system upgrading

Supervision YES



Industrial facilities

SECLAM CO. (MANSOUR FOR TRADING & INDUSTRIES)

Project Data The project comprises one of the biggest dairy factories in Egypt which include of Administration Buildings, Production buildings, stores ...etc. In Alexandria, Egypt.

Location Alexandria, Egypt.

Field of Work Design of Firefighting and Alarm systems of stores.

Supervision YES



Alexandria

24 Abbas Elhalwany St, ibrahimia, Bab Sharq, Egypt.

Tel/Fax :+2035916170
www.promep.com.eg

Cairo

127 fourth District,
5 th Settlement, new cairo
Egypt.

promep@promep.com.eg

Paper

Firstgroup Co. for industrial development S.A.E

Project Data The project comprises a new factory called FIRST-STAR factory and is one of the biggest corrugated paper factory in Egypt

Location Elobour, Cairo, Egypt

Field of Work (General Consultant) and ProMEP design Scope is Electro-Mechanical design of lighting, power, telephone, data, CCTV, fire alarm, access doors, steam lines, air lines, boilers, solar energy system and waste water treatment station. ProMEP management scope is the turn key project includes civil work, Structure work, Electro-Mechanical work, Machining work, utilities, starting and commissioning of the production lines.

Supervision YES



Industrial facilities

EL MON PAPER FACTORY

Project Data The project comprises a new factory called Elmon for corrugated paper and paper manufacturing

Location Borg Elarab, Alexandria, Egypt

Field of Work ProMEP design Scope is fire alarm and fire fighting

Supervision YES



Alexandria

24 Abbas Elhalwany St, ibrahimia, Bab Sharq, Egypt.

Tel/Fax :+2035916170
www.promep.com.eg

Cairo

127 fourth District, 5 th Settlement, new cairo Egypt.

promep@promep.com.eg

Paper

NILE PACK CO.

Project Data The project comprises a new factory called Perfect-Pack factory for corrugated paper and painting in Egypt

Location 6th of October, Cairo, Egypt

Field of Work (**General Consultant**) and ProMEP design Scope is Electro-Mechanical design of lighting, power, telephone, data, CCTV, fire alarm, access doors, steam lines, air lines, boilers, and waste water treatment station. Also machining work, utilities, starting and commissioning of the production lines.

Supervision YES



Industrial facilities

EL YASSINE FACTORY.

Project Data The project comprises a one of paper factories in Borg el Arab in Alexandria with a total Area of 1350 m2

Location Borg El Arab, Alexandria, Egypt

Field of Work ProMEP design Scope is (HVAQ and Firefighting, Fire Alarm works)

Supervision YES



Alexandria

24 Abbas Elhalwany St, ibrahimia, Bab Sharq,
Egypt.

Tel/Fax :+2035916170
www.promep.com.eg

Cairo

127 fourth District,
5 th Settlement, new cairo
Egypt.

promep@promep.com.eg

General

Industrial facilities

EVYAP EGYPT INDUSTRIAL

Project Data The project comprises an area of 45,680 m², 6,000 m² of which is closed. The total area after the investment will be 60.575 m²; 34.677 m² of which will be closed area

Location Alexandria, Egypt.

Field of Work Firefighting & fire alarm design and safety systems. HVAC system, and water supply system
Supervision YES



MADAR GROUP EGYPT

Project Data

The project comprises a new factor for the company which is specialized in FMCG Home Care, Personal Care products and diapers manufacturing and distribution

Location Alexandria, Egypt.

Field of Work Heat exchangers and Elevators

Supervision YES



ALPHA TEXTILE FACTORY

Project Data The project comprises one of the biggest textile factory in Alexandria which is specialized in garments. The project consists of a production hall, administration building, stores ...etc.

Location Free zone, Alexandria, Egypt.

Field of Work Firefighting & fire alarm tender documents

Supervision YES



Alexandria

24 Abbas Elhalwany St, ibrahimia, Bab Sharq, Egypt.

Tel/Fax :+2035916170
www.promep.com.eg

Cairo

127 fourth District, 5 th Settlement, new cairo Egypt.

promep@promep.com.eg

General

RUBYRED GARMENT AND ELVAN FOR DYEING

Project Data The project comprises of total area 23000 m2 which is specialized in in production Garment and Elvan for dyeing

Location Alexandria, Egypt.

Field of Work Firefighting & fire alarm tender documents

Supervision YES



Industrial facilities

KOBUSCH PACKAGING .

Project Data The project comprises the new store building

Location Alexandria, Egypt

Field of Work Energy auditing and firefighting system

Supervision NO



KCG TEXTILE EGYPT

Project Data K.C.G Textile Egypt S.A. was established at 2007 and started production at 2008 for home textile business

Location Industrial zone, South A6. 10th of Ramadan City. Egypt.

Field of Work Firefighting & fire alarm System, Industrial Waste water treatment, solar Energy system

Supervision YES



Alexandria

24 Abbas Elhalwany St, ibrahimia, Bab Sharq, Egypt.

Tel/Fax :+2035916170
www.promep.com.eg

Cairo

127 fourth District, 5 th Settlement, new cairo Egypt.

promep@promep.com.eg

General

BASATEEN ASWAN PUMP STATION

Project Data The project comprises of a pump station of 11 pumps with 1 m³/sec to irrigate 15000 acre in Aswan

Location Aswan, Egypt.

Field of Work The tender documents for the pump station and irrigation systems.

Supervision YES.



Industrial facilities

YKK Egypt

Project Data YKK, zipper manufacturing company

Location 10th of Ramadan, Egypt.

Field of Work Firefighting design system

Supervision YES



PROF.DR. WALID ABDE

Alexandria

24 Abbas Elhalwany St, ibrahimia, Bab Sharq, Egypt.

Tel/Fax :+2035916170
www.promep.com.eg

Cairo

127 fourth District, 5 th Settlement, new cairo Egypt.

promep@promep.com.eg

General

OULABITEX FACTORY, EGYPT

Project Data "Oulabitex" is located on 10th of Ramadan city, Cairo. Considered as one of the big Textile Factories in Egypt.

Location Egypt

Field of Work Fire Fighting, HVAC System.

Supervision Yes.



Industrial facilities

EGYPTSAT TELECOM FACTORY

Project Data The project comprises a new factory in Elobour City.

Location Elobour, Cairo, Egypt

Field of Work (**General Consultant**) and design Scope of Electro-Mechanical design of lighting, power, telephone, data, CCTV, fire alarm, access doors, steam lines, and air lines. ProMEP management scope is the turn key project includes civil work, Structure work, Electro-Mechanical work, Machining work, utilities, starting and commissioning of the production lines.

Supervision Yes.



IPPCO FACTORY

Project Data The project comprises a new factory for eggs production

Location Borg ElArab, Alexandria, Egypt

Field of Work. (**General Consultant**) and ProMEP design Scope is Electro-Mechanical design of lighting, power, telephone, data, CCTV, fire alarm, access doors, steam lines, and air lines. ProMEP management scope is the turn key project includes civil work, Structure work, Electro-Mechanical work, Machining work, utilities, starting and commissioning of the production lines.

Supervision Yes.



Alexandria

24 Abbas Elhalwany St, ibrahimia, Bab Sharq, Egypt.

Tel/Fax :+2035916170
www.promep.com.eg

Cairo

127 fourth District, 5 th Settlement, new cairo Egypt.

promep@promep.com.eg

General

MANTRAC

Project Data The project comprises of the main facility in Alexandria.

Location El Amreia, Alexandria Egypt.

Field of Work Fire Fighting- and fire alarm for the facility

Supervision NO



Industrial facilities

**HASAN ALLAM SONS
CONSTRUCTION (H. A.
CONSTRUCTION – ALLAM STEEL**

Project Data The project comprises of the main facility in Alexandria.

Location El Amreia, Alexandria Egypt.

Field of Work Fire Fighting- and fire alarm for the facility

Supervision YES



Alexandria

24 Abbas Elhalwany St, ibrahimia, Bab Sharq,
Egypt.

Tel/Fax :+2035916170
www.promep.com.eg

Cairo

127 fourth District,
5 th Settlement, new cairo
Egypt.

promep@promep.com.eg

General

Industrial facilities

HASAN ALLAM SONS CONSTRUCTION 10TH OF RAMADAN

Project Data The project comprises of the main facility in 10th or Ramadan

Location 10th or Ramadan, Egypt.

Field of Work Fire Fighting- and fire alarm for the facility

Supervision YES



AL GARAS FOOD INGREDIENTS COMPANY (BELL FOODS)

Project Data The project comprises of the main stores for Al Garas Food Ingredients Company (BELL FOODS) in EGYPT.

Location Alexandria, Egypt.

Field of Work Fire Fighting- and fire alarm systems

Supervision YES



Alexandria

24 Abbas Elhalwany St, ibrahimia, Bab Sharq,
Egypt.

Tel/Fax :+2035916170
www.promep.com.eg

Cairo

127 fourth District,
5 th Settlement, new cairo
Egypt.

promep@promep.com.eg

General

MANTRAC LIBERIA

Project Data The project comprises of the total area 30350 m2, distributed on Administration building, stores and workshops. In additional to landscape

Location Liberia

Field of Work Fire Fighting design

Supervision YES.

Industrial facilities



EL SEWEDY CABLES (FACTORY)

Project Data The project comprises of the total area 16500 m2 & one of the biggest factories in Egypt , distributed on Administration building, storages , pump room ...etc

Location 10th of Ramdan, Egypt

Field of Work administration building
Electro-Mechanical design of lighting, power, telephone, data, CCTV, fire alarm, HVAC , plumbing; firefighting and fire alarm system.

Supervision YES.



Alexandria

24 Abbas Elhalwany St, ibrahimia, Bab Sharq,
Egypt.

Tel/Fax :+2035916170
www.promep.com.eg

Cairo

127 fourth District,
5 th Settlement, new cairo
Egypt.

promep@promep.com.eg

General

ELVAN GARMENT AND RUBYRED FOR DYEING

Project Data The project comprises of total area 23000 m2 which is specialized in garments and dyeing

Location Borg el Arab, Alexandria, Egypt.

Field of Work Firefighting & fire alarm design

Supervision YES

Industrial facilities



ABO DONKOL FEEDS FACTORY

Project Data Abo Donkol Feeds is one of the leading privately owned corporations that operates in the fodders sector in Egypt and the Middle East.

Location Borg el Arab, Alexandria, Egypt.

Field of Work Ventilation system design for the main feeds store.

Supervision NO



Alexandria

24 Abbas Elhalwany St, ibrahimia, Bab Sharq, Egypt.

Tel/Fax :+2035916170
www.promep.com.eg

Cairo

127 fourth District, 5 th Settlement, new cairo Egypt.

promep@promep.com.eg

MARSEILIA BLUE-BAY ELEIN EL-SOKHNA

Project Data The project size is about 58 acres and it is located on the most distinctive point along the Red sea.

Location Elein Elsokhna, Egypt.

Field of Work Swimming Pools and Ponds Electro-Mechanical design and shop drawings

Supervision Yes.



MARSEILIA Alam El Roum - Resort

Project Data Marseilleia Alam ElRoum – Aqua park is a choice when it comes to enjoying the hottest vacation spot lying 290 km west of Alexandria and 524 km from Cairo.

Location Alexandria, Egypt.

Field of Work Swimming pools, Communications & Security systems, Electrical, Light current, HVAC, Firefighting, Plumbing, and water treatment design and shop drawings

Supervision Yes.



MARSEILIA BEACH4

Project Data The project comprises of total area 546,000 m2, located 124.5 km west of Alexandria.

Location Alexandria, Egypt.

Field of Work The tender documents for the village swimming pools, ponds, firefighting and fire alarm system and elevators. In addition to waste water station testing and commissioning

Supervision NO.



Alexandria

24 Abbas Elhalwany St, ibrahimia, Bab Sharq,
Egypt.

Tel/Fax :+2035916170
www.promep.com.eg

Cairo

127 fourth District,
5 th Settlement, new cairo
Egypt.

promep@promep.com.eg

MARSEILIA – HAYAT ALEX PARK

Project Data The project comprises a compound of residential, administration building and a high scale hotel

Location Alexandria, Egypt

Field of Work Design review and value engineering of Mechanical and Electrical project design

Supervision NO



ROYAL MALL

Project Data The project comprises three floors mall.

Location Alexandria, Egypt.

Field of Work Electro-Mechanical work, HVAC, Plumbing, Fire Fighting, Electrical and elevators

Supervision NO.



SOHAG HOTEL

Project Data The project comprises of total area 800 m² (11 Floor Hotel with 2 underground basement garage).

Location Sohag, Egypt.

Field of Work Electro-Mechanical work, HVAC, Plumbing, Fire Fighting, Electrical and elevators Systems

Supervision NO.



Alexandria

24 Abbas Elhalwany St, ibrahimia, Bab Sharq, Egypt.

Tel/Fax :+2035916170
www.promep.com.eg

Cairo

127 fourth District, 5 th Settlement, new cairo Egypt.

promep@promep.com.eg

AL SALAMLEK PALACE

Project Data The Palace will be renovated and operated as a luxurious five stars hotel which will bring it back to life creating a new royal and touristic hub in Alexandria

Location Alexandria, Egypt.

Field of Work Electro-Mechanical design
(Plumbing- Fire Fighting- Electrical- HVAC-Steam)

Supervision YES.



THE QATR-EL NADA

Project Data The qatr El Nada Garden is a great place to listen to live music while savoring on delectable dishes and snacks, all with spectacular views

Location Alexandria, Egypt.

Field of Work Electro-Mechanical design (Plumbing-
Fire Fighting- Electrical- HVAC-swimming pool)

Supervision YES.



Alexandria

24 Abbas Elhalwany St, ibrahimia, Bab Sharq,
Egypt.

Tel/Fax :+2035916170
www.promep.com.eg

Cairo

127 fourth District,
5 th Settlement, new cairo
Egypt.

promep@promep.com.eg

THE ROYAL HOUSE

Project Data the Royal House is on the coast at the far North-East end of Montazah district, and it is a favorite tourist's site renowned for its royal heritage and vast gardens

Location Alexandria, Egypt.

Field of Work Electro-Mechanical design
(Plumbing- Fire Fighting- Electrical- HVAC)

Supervision YES.



THE SMALL PALACE

Project Data the Palace is a part of Al Salamlek Palace which will be renovated and operated as a luxurious five stars hotel which will bring it back to life creating a new royal and touristic hub in Alexandria

Location Alexandria, Egypt.

Field of Work Electro-Mechanical design
(Plumbing- Fire Fighting- Electrical- HVAC)

Supervision YES.



Alexandria

24 Abbas Elhalwany St, ibrahimia, Bab Sharq,
Egypt.

Tel/Fax :+2035916170
www.promep.com.eg

Cairo

127 fourth District,
5 th Settlement, new cairo
Egypt.

promep@promep.com.eg

Commercial Building

VISTA MALL, Marina

Project Data The project comprises of total area 10000 m2 which is a part of Marina in North Coast of Egypt

Location North Coast, EGYPT.

Field of Work Firefighting and fire alarm tender documents

Supervision NO.



Grand Ballroom, Al Montaza

Project Data The Palace is a part of Al Salamlek Palace which will be renovated and operated as a Ballroom which will bring it back to life with all kind of joy and parties including weddings and Local and global conferences

Location Al Montaza, Alexandria, Egypt.

Field of Work Electro-Mechanical design
(Plumbing- Fire Fighting- Electrical- HVAC)

Supervision YES.



Rashid Mall

Project Data The project comprises of total area 645 m2, Consists of (Ground & First floor and 3 Floor typical)

Location Rashid, Egypt

Field of Work Electrical, Light current, HVAC, Elevators, Plumbing&, Firefighting.

Supervision Yes.



Alexandria

24 Abbas Elhalwany St, ibrahimia, Bab Sharq,
Egypt.

Tel/Fax :+2035916170
www.promep.com.eg

Cairo

127 fourth District,
5 th Settlement, new cairo
Egypt.

promep@promep.com.eg

Commercial Building

SELENA BAY RESORT, HURGHADA RED SEA

Project Data "SELENA BAY RESORT" is located on the Red Sea Coast of Hurghada, 9 km North of the city, Hurghada considered as one of the main tourist destinations in Egypt.

Location Hurghada Red Sea, Egypt

Field of Work Electrical, Light current, HVAC, Elevators, Plumbing, Firefighting, swimming pools, Aqua, waste water treatment station, Desalination system.

Supervision Yes.



L -SQUARE CAFÉS

Project Data L Square is located in Green plaza, Alexandria Consists of (Ground and First floor)

Location Green Plaza, Alexandria, Egypt

Field of Work Electrical, Light current, HVAC, Plumbing & Firefighting design systems

Supervision Yes



BROCCOLI RESTURANT

Project Data BROCCOLI Restaurant in elmaady is one of the Broccoli chain in EGYPT

Location Zahraa Al Maadi Plaza, Egypt

Field of Work Electro-Mechanical supervision (Electrical, Light current, HVAC, Plumbing & Firefighting)

Supervision YES.



Alexandria

24 Abbas Elhalwany St, ibrahimia, Bab Sharq, Egypt.

Tel/Fax :+2035916170
www.promep.com.eg

Cairo

127 fourth District, 5 th Settlement, new cairo Egypt.

promep@promep.com.eg

Mirage Hotel, Marsa Alam, RED SEA

Project Data “Mirage Hotel” is located on the Red Sea Coast of Marsa Alam, considered as one of the main tourist Hotel destinations in Egypt.

Location Marsa Alam, Red Sea, Egypt

Field of Work Electrical, Light current, HVAC, Elevators, Plumbing, Firefighting, swimming pools, Aqua, waste water treatment station, and Desalination system.

Supervision Yes.



ALAMEIN TOWERS (NEW ALAMEIN CITY)

Project Data The project comprises of total area 30790 m2, of the tower Consists of (Upper Ground & Lower Ground and 42 Floor typical) distributed in Residential, commercial and Entertainment buildings.

Field of Work Contractor consultant for engineering work (Electrical, Light current, HVAC, Elevators, Plumbing, Firefighting, swimming pools, waste water treatment station) shop drawings and calculations.

Location New City Alamein, Egypt

Supervision NO.



Alexandria

24 Abbas Elhalwany St, ibrahimia, Bab Sharq,
Egypt.

Tel/Fax :+2035916170
www.promep.com.eg

Cairo

127 fourth District,
5 th Settlement, new cairo
Egypt.

promep@promep.com.eg

HALOMY FURNITURE

Project Data The project comprises of total area 400 m², **Halomy** shares the industrial modernization program in which the United European and the Egyptian Government over head its expenses in order to develop the Furniture manufacturing

Location Alexandria, Egypt

Field of Work Electrical, Light current, HVAC, Plumbing, Firefighting design

Supervision Yes.



EL TERFEHIYA (NEW CITY ALAMEIN)

Project Data The project comprises of total area 30790 m², of the tower Consists of (Upper Ground & Lower Ground and 42 Floor typical) distributed in Residential, commercial and Entertainment buildings.

Field of Work design of storm and irrigation drain network.

Location New City Alamein, Egypt

Supervision NO.



Alexandria

24 Abbas Elhalwany St, ibrahimia, Bab Sharq,
Egypt.

Tel/Fax :+2035916170
www.promep.com.eg

Cairo

127 fourth District,
5 th Settlement, new cairo
Egypt.

promep@promep.com.eg

Commercial Building

MARASSI SIDI ABDEL RAHMAN

Project Data Marassi is set to become the North Coast's first upscale international destination and is on fast tracks to establish itself as a world-class tourism, leisure and golfing holiday destination.

Location Sidi Abdel Rahman, Egypt

Field of Work Irrigation system design

Supervision NO.



PROF.DR. WALID ABDELGHAFFAR

Alexandria

24 Abbas Elhalwany St, ibrahimia, Bab Sharq,
Egypt.

Tel/Fax :+2035916170
www.promep.com.eg

Cairo

127 fourth District,
5 th Settlement, new cairo
Egypt.

promep@promep.com.eg



AVARIS MALL



Project Data AVARIS Mall is one of the biggest mall in New Cairo, Egypt which contains (offices, Shops, Kids area ...etc.) The project comprises of total area about 10000 m2

Location 5TH Settlement, new Cairo, Egypt

Field of Work Contractor consultant for engineering work (Electrical, Light current, HVAC, Elevators, Plumbing, Firefighting, swimming pools, waste water treatment station) shop drawings and calculations.

Supervision NO.

Alexandria

24 Abbas Elhalwany St, ibrahimia, Bab Sharq,
Egypt.

Tel/Fax :+2035916170
www.promep.com.eg

Cairo

127 fourth District,
5 th Settlement, new cairo
Egypt.

promep@promep.com.eg

CASCADIA RESORT - NORTH COAST.



Project Data CASCADIA Resort is one of the biggest resorts in Egypt which contains residential buildings, shops, kids area, swimming pools, aqua, ...etc.

Location North Coast, Egypt

Field of Work Design of Mechanical work (Plumbing system, HVAC works, irrigation, swimming pools, aqua, and infrastructure works

Supervision YES

Alexandria

24 Abbas Elhalwany St, ibrahimia, Bab Sharq,
Egypt.

Tel/Fax :+2035916170
www.promep.com.eg

Cairo

127 fourth District,
5 th Settlement, new cairo
Egypt.

promep@promep.com.eg

PHARMA BEACH RESORT, KAFR ELSHEIKH, EGYPT



Project Data “Pharma beach RESORT” is located on the north Coast, Baltim, Kafr Elsheikh and considered as one of the main tourist destinations in Kafr Elsheikh. The total area is about 300, 000 m²

Location Baltim, Kafr Elsheikh, Egypt

Field of Work Electrical power network, lighting network, Data network, Telephones network, Water supply network, Sewage network, Irrigation system, Firefighting system, Waste water treatment station, Desalination water station, and Electrical power generation station.

Supervision YES.

RAYHANA COMPOUND

Project Data The project comprises of 23 villa with swimming pools and utilities area

Location Alexandria, Egypt

Field of Work Infra-structure of waste water and electrical system

Supervision YES.



Alexandria

24 Abbas Elhalwany St, ibrahimia, Bab Sharq,
Egypt.

Tel/Fax :+2035916170
www.promep.com.eg

Cairo

127 fourth District,
5 th Settlement, new cairo
Egypt.

promep@promep.com.eg

National Water Company- Saudi Arabia kingdom

Project Data National Water Company (NWC), a Saudi joint stock company fully owned by the government, was established to provide water and wastewater treatment services in accordance with the latest international standards. The project includes the main pump station and water tanks for the Heteen area in Riyadh, KSA.

Location Riyadh, Saudi Arabia Kingdom.

Field of Work Contractor consultant for Engineering work and Shop Drawing for Water supply network of water tanks & pump station, philosophy of operation, hydraulic calculations and stress analyses for the suction and delivery pipe lines.

Supervision NO.



SELENA BAY RESORT, HURGHADA RED SEA

Project Data "SELENA BAY RESORT" is located on the Red Sea Coast of Hurghada, 9 km North of the city, Hurghada considered as one of the main tourist destinations in Egypt.

Location Hurghada Red Sea, Egypt

Field of Work Electrical, Light current, HVAC, Elevators, Plumbing, Firefighting, swimming pools, Aqua, waste water treatment station, Desalination system.

Supervision Yes.



Alexandria

24 Abbas Elhalwany St, ibrahimia, Bab Sharq,
Egypt.

Tel/Fax :+2035916170
www.promep.com.eg

Cairo

127 fourth District,
5 th Settlement, new cairo
Egypt.

promep@promep.com.eg

Abdul Mohsen Al-Hokair & Sons Group Apartment Building

Project Data The project comprises of the total area is about 20000 m2, distributed on distributed on separate villas and utilities area

Location Al Badiya, KSA

Field of Work Electro-Mechanical designhelio (HVAC- Plumbing- Fire Fighting- and Electrical design).

Supervision NO.



HELIOEYE COMPOUND, EGYPT

Project Data "HELIOEYE" is located on the Heliopolis in Egypt. The project comprises of 17 residential buildings consists of (Parking in Basement floor, MALL in Ground and 5 Floors typical residential building

Location Heliopolis, Egypt

Field of Work Communications & Security systems, Electrical, Light current, HVAC, Elevators, Plumbing, Firefighting & swimming pool.

Supervision Yes.



Alexandria

24 Abbas Elhalwany St, ibrahimia, Bab Sharq, Egypt.

Tel/Fax :+2035916170
www.promep.com.eg

Cairo

127 fourth District, 5 th Settlement, new cairo Egypt.

promep@promep.com.eg

KHAMIS GARDEN COMPOUND, SAUDI ARABIA



Project Data "KHAMIS GARDEN" is located on Abha, Saudi Arabia . The project comprises of 50 residential buildings in addition to mall, shopping area, hotel, mosque and utility area. The total area is about 130000 m².

Location ABHA, Saudi Arabia.

Field of Work Design of Electro Mechanical works (Electrical, Lighting, light current HVAC, Fire Fighting, Plumbing). In addition to infrastructure of lighting, Drain, storm, irrigation, telephone and data networks

Supervision NO.

Alexandria

24 Abbas Elhalwany St, ibrahimia, Bab Sharq,
Egypt.

Tel/Fax :+2035916170
www.promep.com.eg

Cairo

127 fourth District,
5 th Settlement, new cairo
Egypt.

promep@promep.com.eg

MASTER RESIDENCE COMPOUND

Project Data The project comprises Villas compound of total area 22600 m² consist of (Ground, first, second floors& roof)

Location Alexandria, Egypt.

Field of Work Electro Mechanical Design Work (HVAC, Plumbing, Firefighting, Electrical work, and light current systems)

Supervision NO.



PROF.DR. WALID ABDELGHAFAR

Alexandria

24 Abbas Elhalwany St, ibrahimia, Bab Sharq,
Egypt.

Tel/Fax :+2035916170
www.promep.com.eg

Cairo

127 fourth District,
5 th Settlement, new cairo
Egypt.

promep@promep.com.eg



ELITE INTERNATIONAL HOSPITAL



Project Data The project comprises of total area 20000 m², distributed on eight levels (Ground, First, second, third, fourth, fifth, sixth and seventh) and basement area
Ground floor: Main Entrance & lobby, Emergency entrance & lobby, some of admin areas and Exits.
First to seventh floor: About 2,000 m² per floor, Admin & Medical sections, operation room & ICU

Location Ring Road, Downtown, Alexandria, Egypt.

Field of Work Communications & Security systems, Electrical, Light current, HVAC, Medical gases, Elevators, Plumbing, Boilers, Laundry, sterilization system, Waste Water Treatment.

Supervision Yes.

Alexandria

24 Abbas Elhalwany St, ibrahimia, Bab Sharq,
Egypt.

Tel/Fax :+2035916170
www.promep.com.eg

Cairo

127 fourth District,
5 th Settlement, new cairo
Egypt.

promep@promep.com.eg

SAUDI- GERMAN HOSPITAL



Project Data SGH- Aims to become the premier healthcare provider and the employer of choice drawing the best talent in the MENA region. The hospital is planning to prove itself as one of the major tertiary care hospitals in Cairo and Egypt. With the capacity of around 300 beds, SGH Cairo will offer a wide Range of medical services including all kinds of specialties, sub-specialties and critical cares and with the highest International standards.

Location Alex West, Alexandria, Egypt.

Field of Work

- Supervision of (Electro-Mechanical) Communications, Security systems, Electrical, Light current, HVAC, Medical gases, Elevators, Plumbing, Boilers, Laundry, sterilization system, Waste Water Treatment, infrastructure and Landscape network (lighting, Irrigation systems, drainage storm network,).
- Design and supervision of landscape and infrastructure (Electrical, Fire Firefighting, Plumbing, irrigation)
- Design and supervision of Electro-Mechanical design of charity hospital

Supervision YES

Alexandria

24 Abbas Elhalwany St, ibrahimia, Bab Sharq,
Egypt.

Tel/Fax :+2035916170
www.promep.com.eg

Cairo

127 fourth District,
5 th Settlement, new cairo
Egypt.

promep@promep.com.eg

WELCARE HOSPITAL

Project Data the project comprises of floor area 360 m², the project has 13 floors and basement area

Location ElMohandseen, Cairo, Egypt.

Field of Work Communications & Security systems, Electrical, Light current, HVAC, Medical gases, Elevators, Plumbing, Boilers, Laundry, sterilization system, Waste Water Treatment.

Supervision Yes.



MERRY LAND HOSPITAL

Project Data the project comprises of floor area 2400 m², the project has 6 floors and basement area

Location Cairo, Egypt.

Field of Work design of Electro-Mechanical work (Communications & Security systems, Electrical, Light current, HVAC, Medical gases, Elevators, Plumbing, Boilers, Laundry, sterilization system, Waste Water Treatment.)

Supervision Yes.



Alexandria

24 Abbas Elhalwany St, ibrahimia, Bab Sharq, Egypt.

Tel/Fax :+2035916170
www.promep.com.eg

Cairo

127 fourth District,
5 th Settlement, new cairo
Egypt.

promep@promep.com.eg

Global Hospital

Project Data The project comprises of total area 35000 m², distributed on three levels (Ground, Mezzanine and First) in addition to basement services area and a tower. 1) Ground floor: Main Entrance & lobby, Emergency entrance & lobby, some of admin areas and Exits. 2) Mezzanine floor: About 13,000 m², Admin & Medical sections. 3) 1st floor: medical sections. 4) Basement: Services 5) A tower comprises Intensive Care Units (ICU) and inpatient wards.

Location Alexandria, Egypt

Field of Work Communications & Security systems, Electrical, Light current, HVAC, Medical gases, Elevators, Plumbing, Boilers, Laundry, sterilization system, Waste Water Treatment.

Supervision NO.



LOURAN HOSPITAL

Project Data The project comprises of total area 3,000 m² of a new hospital extension

Location Alexandria, Egypt

Field of Work Communications & Security systems, Electrical, Light current, HVAC, Medical gases, Elevators, Plumbing, and water treatment.

Supervision Yes



Alexandria EYE Hospital

Project Data The project comprises of 8000 m².

Location Alexandria, Egypt.

Field of Work Electro-Mechanical design (HVAC- Plumbing- Fire Fighting-Electrical, Medical Gases) in addition to shop drawings and co-ordination work & shop drawings

Supervision YES



Alexandria

24 Abbas Elhalwany St, Ibrahimia, Bab Sharq, Egypt.

Tel/Fax : +2035916170
www.promep.com.eg

Cairo

127 fourth District, 5th Settlement, New Cairo, Egypt.

promep@promep.com.eg

Pediatric and Emergency Hospital

Project Data The project comprises of total area 17000 m2, Emergency Hospital of 2400m2 and 6 floors; and Pediatric Hospital of 3400 m2 and 5 floors.

Location Smouha, Alexandria, Egypt.

Field of Work Firefighting and fire alarm system

Supervision NO



HELIOPOLIS HOSPITAL

Project Data The project is a new hospital of Andalusia group in Cairo.

Location Cairo, Egypt.

Field of Work HVAC, Firefighting, Electrical work, Medical Gases, Plumbing and Elevators Systems

Supervision NO



ELHAYAH HOSPITAL

Project Data The project comprises of 1200 m2, 17 floors, of high scale hospital

Location Zagazig, Egypt

Field of Work Medical Gases and Plumbing System

Supervision NO



Alexandria

24 Abbas Elhalwany St, ibrahimia, Bab Sharq, Egypt.

Tel/Fax :+2035916170
www.promep.com.eg

Cairo

127 fourth District, 5 th Settlement, new cairo Egypt.

promep@promep.com.eg

SMOuha INTERNATIONAL MEDICAL CENTER

Project Data The project comprises of 11700 m² of high scale hospital

Location Alexandria, Egypt.

Field of Work HVAC, Firefighting, Electrical work, Medical Gases, Plumbing and Elevators Systems

Supervision YES



Alexandria University Hospitals

Project Data The project comprises of the university's main hospital surgery and university children's Hospital

Location Alexandria, Egypt.

Field of Work Suction system and the ventilation system

Supervision YES



Dmanhor Hospital

Project Data The project comprises of total area 415 m² of a new hospital includes ground floor, mezzanine floor and first floor.

Location Damnhor; Behira , Egypt

Field of Work Communications & Security systems, Electrical, Light current, HVAC, Medical gases, Elevators, Plumbing, and water treatment.

Supervision Yes



Alexandria

24 Abbas Elhalwany St, ibrahimia, Bab Sharq, Egypt.

Tel/Fax :+2035916170
www.promep.com.eg

Cairo

127 fourth District,
5 th Settlement, new cairo
Egypt.

promep@promep.com.eg

Damro Hospitals

Project Data The project comprises of 300 m2 and 3 floors.

Location Mehalla, Egypt.

Field of Work HVAC, Firefighting, Medical Gases and Elevators Systems and Medical Equipment's

Supervision YES.



AL SARAIA HOSPITALS

Project Data The project comprises of 2 floors.

Location Alexandria, Egypt.

Field of Work HVAC Systems and Elevators

Supervision YES.



Alexandria

24 Abbas Elhalwany St, ibrahimia, Bab Sharq,
Egypt.

Tel/Fax :+2035916170
www.promep.com.eg

Cairo

127 fourth District,
5 th Settlement, new cairo
Egypt.

promep@promep.com.eg

AL SARAIA SCAN

Project Data The project comprises of 2 floors.

Location Alexandria, Egypt.

Field of Work HVAC- Plumbing and Elevators systems

Supervision YES.



Royal Hospital

Project Data Royal Hospital continues to highly successful in providing quality acute care services and with current expansion our scope of services

Location Alexandria, Egypt.

Field of Work Design modification & supervision of HVAC, Medical gases, Plumbing, & firefighting systems

Supervision YES.



El Katameya Clinic Hospital , Egypt

Project Data "El Katameya Clinic" is considered as one of the main hospitals of Healthcare's mission in Egypt.

Location 5th Settlement, New Cairo, Cairo - Egypt

Field of Work Design Review; Value Engineering and owner representative

Supervision NO.



Alexandria

24 Abbas Elhalwany St, ibrahimia, Bab Sharq, Egypt.

Tel/Fax :+2035916170
www.promep.com.eg

Cairo

127 fourth District,
5 th Settlement, new cairo
Egypt.

promep@promep.com.eg

ANDALOSIA SMOUHA

Project Data The project comprises of 1700 m² of high scale hospital and hospital firefighting system

Location Alexandria, Egypt.

Field of Work HVAC, Firefighting, Electrical work, Medical Gases, Plumbing systems for the fourth floor

Supervision YES



ELSHLALAT HOSPITAL

Project Data The project comprises of 11700 m² of high scale hospital

Location Alexandria, Egypt.

Field of Work HVAC, Firefighting, Centralized Hot water system and Oxygen generator system

Supervision YES



Alexandria

24 Abbas Elhalwany St, ibrahimia, Bab Sharq,
Egypt.

Tel/Fax :+2035916170
www.promep.com.eg

Cairo

127 fourth District,
5 th Settlement, new cairo
Egypt.

promep@promep.com.eg

ANDALOSIA ELMAADY CLINICS

Project Data The project comprises of 1000 m² of high scale clinics

Location Elmaady, Cairo, Egypt.

Field of Work HVAC, Firefighting, Electrical work, plumbing systems for the new clinics beside andalasia elmaady hospital

Supervision YES



EI-FAYOUM HOSPITAL

Project Data The project comprises of 20000 m² of high scale hospital

Location Elfayoum , Egypt.

Field of Work Medical Gases system

Supervision NO



NILE SANATORIUM HOSPITAL

Project Data the project comprises of floor area 2000 m²

Location Cairo, Egypt.

Field of Work Communications & Security systems, Electrical, Light current, HVAC, Plumbing and firefighting systems.

Supervision NO.



Alexandria

24 Abbas Elhalwany St, ibrahimia, Bab Sharq, Egypt.

Tel/Fax :+2035916170
www.promep.com.eg

Cairo

127 fourth District,
5 th Settlement, new cairo
Egypt.

promep@promep.com.eg

AVC HOSPITAL

Project Data The project comprises of a new facility and operation rooms building in Alexandria for AVC hospital

Location Smouha, Alexandria, Cairo, Egypt.

Field of Work HVAC, Firefighting, Plumbing and Medical gas systems

Supervision YES



ELANSARY HOSPITAL

Project Data the project comprises of floor area 300 m², the project has 3 floors .

Location Kafr El Zayat , Egypt.

Field of Work Electro -mechanical works (HVAC, Firefighting, Plumbing, Electrical , lighting , light current ,fire alarm and Medical gas systems)

Supervision YES



Alexandria

24 Abbas Elhalwany St, ibrahimia, Bab Sharq,
Egypt.

Tel/Fax :+2035916170
www.promep.com.eg

Cairo

127 fourth District,
5 th Settlement, new cairo
Egypt.

promep@promep.com.eg

ALPHA HOSPITAL (DR.MOHAMED MOKBEL HOSPITAL)

Project Data The project comprises of a new hospital includes patient rooms, ICUs, and operation rooms, and other hospital facilities in Alexandria.

Location Alexandria, Egypt.

Field of Work Electro -mechanical works (HVAC, Firefighting, Plumbing, Electrical, lighting, light current, fire alarm and Medical gas systems)

Supervision YES



TEACHERS HOSPITAL

Project Data The project comprises with total area 1400 m² of a new hospital includes patient rooms, ICUs, and operation rooms, and other hospital facilities in EGYPT .

Location Aswan ,Egypt.

Field of Work Design of Firefighting, fire alarm systems

Supervision YES



KHALED IBN EL WALID HOSPITAL

Project Data The project comprises of a new hospital includes patient rooms, ICUs, and operation rooms, and other hospital facilities in Alexandria.

Location Alexandria, Egypt.

Field of Work design of Firefighting, fire alarm and Medical gas systems

Supervision NO



Alexandria

24 Abbas Elhalwany St, ibrahimia, Bab Sharq, Egypt.

Tel/Fax :+2035916170
www.promep.com.eg

Cairo

127 fourth District, 5 th Settlement, new cairo Egypt.

promep@promep.com.eg

CHARITY ALEX WEST HOSPITAL

Project Data The Hospital aims to become the premier healthcare provider and the employer of choice drawing the best talent in ALEXANDRIA. The hospital is planning to prove itself as one of the major tertiary care hospitals in Egypt.

Location Alexandria, Egypt.

Field of Work Landscape (drain work, lighting, Irrigation, firefighting systems)

Supervision YES



PROF.DR. WALID ABDELGHAFAR

Alexandria

24 Abbas Elhalwany St, ibrahimia, Bab Sharq,
Egypt.

Tel/Fax :+2035916170
www.promep.com.eg

Cairo

127 fourth District,
5 th Settlement, new cairo
Egypt.

promep@promep.com.eg

SAUDI- GERMAN HOSPITAL (DAUBAI)

Project Data SGH- Aims to become the premier healthcare provider and the employer of choice drawing the best talent in the MENA region. The hospital is planning to prove itself as one of the major tertiary care hospitals DUBAI.

Location DUBAI.



Field of Work Design of landscape and infrastructure (External Electrical lighting system, Plumbing, irrigation, fountains, storm network)

Supervision NO.

SAUDI- GERMAN HOSPITAL (MEKKAH –SAUDI ARABIA)

Project Data SGH- Aims to become the premier healthcare provider and the employer of choice drawing the best talent in the MENA region. The hospital is planning to prove itself as one of the major tertiary care hospitals in Kingdom of Saudi Arabia.



Location MEKKAH, Kingdom of Saudi Arabia.

Field of Work Design of landscape and infrastructure (External Electrical lighting system, Plumbing, irrigation, fountains, storm network)

Supervision NO.

Alexandria

24 Abbas Elhalwany St, ibrahimia, Bab Sharq,
Egypt.

Tel/Fax :+2035916170
www.promep.com.eg

Cairo

127 fourth District,
5 th Settlement, new cairo
Egypt.

promep@promep.com.eg

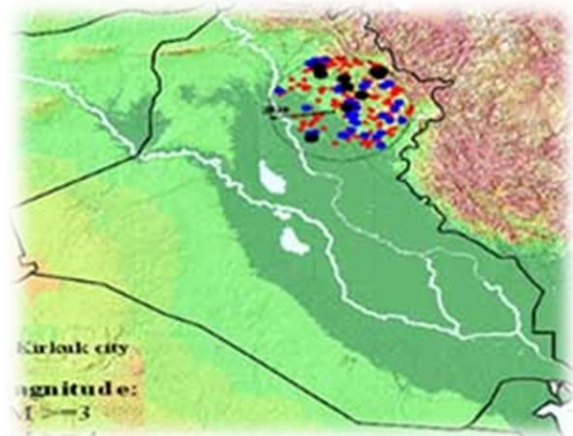
Kirkuk Cement Factory Power Station

Project Data The project is an Electrical Power Station for Kirkuk Cement Factory in Iraq

Location Kirkuk, Iraq.

Field of Work Electro-Mechanical work (HVAC, Firefighting, Electrical work, Plumbing)

Supervision NO.



Burullus Combined Cycle Power Plant – 4800 MW

Project Data The project comprises a combined cycle power plant of 4800 MW. The general consultant is PGESCO, The contractor is ORASCOM, the owner is SIEMENS

Location Burullus, Egypt

Field of Work Electrical, Lighting- Small Power- Light Current design and shop drawings

Supervision NO.



NEW CAPITAL Combined Cycle Power Plant – 4800 MW

Project Data The project comprises a combined cycle power plant of 4800 MW. The general consultant is PGESCO, The contractor is ORASCOM, and the owner is SIEMENS

Location Cairo, Egypt

Field of Work Electrical, Lighting-Lightning – Small Power-Light Current design and shop drawings

Supervision NO



Alexandria

24 Abbas Elhalwany St, Ibrahimia, Bab Sharq, Egypt.

Tel/Fax : +2035916170
www.promep.com.eg

Cairo

127 fourth District, 5th Settlement, new Cairo Egypt.

promep@promep.com.eg

Alexandria Container & Cargo Handling Company – Alexandria port

Project Data The project comprises the main container terminal equipment.

Location Alexandria, Egypt.

Field of Work the tender documents for 2 spiders 3 handling cranes, the tender documents for 3 masts, the tender documents for gantry cranes and the tender documents for T.L.T cranes.

Supervision NO.



Madina International Airport

Project Data The project comprises the new fuel farm of Madinah International airport.

Location Madinah, KSA.

Field of Work Firefighting shop drawings.

Supervision NO.



Hamrawien Port - Egypt

Project Data Hamrawien Port is used in exporting phosphate raw material. The jetty consists of concrete blocks type berth with length 66.25m and width 31.25m at the western side and 53.45m at the eastern side and water depth 10.5m in front of the berth

Location Safaga Port, Egypt.

Field of Work Electro-Mechanical design for rehabilitation of existing phosphate terminal (HVAC- Plumbing- Fire Fighting-Electrical).

Supervision NO.



Alexandria

24 Abbas Elhalwany St, ibrahimia, Bab Sharq,
Egypt.

Tel/Fax :+2035916170
www.promep.com.eg

Cairo

127 fourth District,
5 th Settlement, new cairo
Egypt.

promep@promep.com.eg

ADABIYA PORT ,COAL STORE

Project Data The project is a coal store of 5000 m2

Location Arabiya port, Suez, Egypt

Field of Work Firefighting and fire alarm system

Supervision NO.



KADMAR GROUP (ADMINISTRATION LOGISTIC BUILDINGS & STORAGE)

Project Data KADMAR Group was established in the early 1983 as a shipping Agency. The project includes administration building, main store, workshops and utilities building.

Location Free Zone El Sokhna, Egypt.

Field of Work Design of Electro-Mechanical design for (HVAC- Plumbing- Fire Fighting-Electrical works).

Supervision NO.



Alexandria

24 Abbas Elhalwany St, ibrahimia, Bab Sharq,
Egypt.

Tel/Fax :+2035916170
www.promep.com.eg

Cairo

127 fourth District,
5 th Settlement, new cairo
Egypt.

promep@promep.com.eg

Mantrac-Unatrac

Project Data The project is an Electrical Power Station for Kirkuk Cement Factory in Iraq

Location Kirkuk, Iraq

Field of Work Design review for fuel systems; lube oil system; thermal oil system; cooling system; drainage system; engines air intake system; engine air starting system and engines exhaust system.

Supervision NO.



Exxon Mobil Global Petroleum Co

Project Data The project comprises of group of (11) storage tanks with different capacities filled with liquid fuel including the filling pumps that receive products from different places outside the terminal and also transfer pumps that transfer the products between the tanks

Location Alexandria, Egypt

Field of Work The engineering evaluation of the Fire Fighting & Fire Alarm Systems.

Supervision NO.



MIDTAP Petroleum Co.

Project Data The project comprises of a garage, electrical rooms, generator room and transformer rooms in Cairo and Alexandria sites

Location Cairo, Egypt

Field of Work Fire Fighting & Fire Alarm systems.

Supervision YES.



Alexandria

24 Abbas Elhalwany St, ibrahimia, Bab Sharq,
Egypt.

Tel/Fax :+2035916170
www.promep.com.eg

Cairo

127 fourth District,
5 th Settlement, new cairo
Egypt.

promep@promep.com.eg

MISR PETROLEUM

Project Data The project comprises of the total area 13600 m2.

Location EGYPT

Field of Work Fire Fighting & Fire Alarm design

Supervision YES.



THE EGYPTIAN PETROCHEMICALS HOLDING COMPANY (ECHEM) & NATIONAL RESEARCH CENTER NOVEL TECHNIQUE FOR PRODUCTION OF STYRENE EMULSION

Project Data The Egyptian Petrochemical Company and the National Research Center are planning to build a semi-commercial plant to produce 10 KTA styrene-acrylic emulsion.

Location EGYPT

Field of Work Process flow diagram (include material and heat balance for each specific case using simulation program (HYSYS), Process description, Piping and instrumentation diagram, Piping hydraulic calculation report, Process and mechanical equipment data sheets (for each equipment include Pumps and agitators,etc.....), Instruments Process, instrumentation datasheet, vent and drain philosophy, Process equipment list, cause and effect chart, Work shop drawing, including WBS and PQR, Equipment layout (showing equipment layout, orientation, piping routing, piping support arrangement, electrical cable routing layout etc...), Electrical equipment list, electrical load list, Design and issue field instrument layout, issue loop diagram (in case using PLC), tie in points list, stress analysis calculation report, electrical bulk material MTO, piping MTO, piping designation table, Overall earthing layout, and Design cathodic protection for equipment and pipe.

Supervision YES.



Alexandria

24 Abbas Elhalwany St, ibrahimia, Bab Sharq,
Egypt.

Tel/Fax :+2035916170
www.promep.com.eg

Cairo

127 fourth District,
5 th Settlement, new cairo
Egypt.

promep@promep.com.eg

Egyptian LNG

Project Data

LNG is Egypt's largest liquefied natural gas joint venture comprising of both local shareholders, such as the Egyptian general petroleum corporation ("EGPC"), Egyptian natural gas holding company ("EGAS") and foreign shareholders, such as BG Group plc, PETRONAS and Engie (Gaz de Suez).

Location EGYPT

Field of Work complete design of hydraulic carts for maintenance work. 4 certificates According to BS EN 280 to make sure that final product comply with EN 280. Deliver third party approved by ELNG to get witness load test and the required QA/QC Certification.

Supervision YES.



Alexandria Co. for Petroleum Additives (ACPA).

Project Data ACPA (Alexandria Company for petroleum additives) is one of the largest petroleum company in Egypt. The project is designing a biodiesel production unit in the company facility in Alexandria.

Location Wadi El Kamar, Alexandria, Egypt

Field of Work Process flow diagram, Process description, Piping and instrumentation diagram, Piping hydraulic calculation report, Process and mechanical equipment data sheets, Instruments Process, instrumentation datasheet, Process equipment list, Work shop drawing, including WBS and PQR, Equipment layout (showing equipment layout, orientation, piping routing, piping support arrangement, electrical cable routing layout etc...), Electrical equipment list, Design and issue field instrument layout, electrical bulk material MTO, piping MTO and piping designation table.

Supervision YES.



Alexandria

24 Abbas Elhalwany St, ibrahimia, Bab Sharq, Egypt.

Tel/Fax :+2035916170
www.promep.com.eg

Cairo

127 fourth District, 5 th Settlement, new cairo Egypt.

promep@promep.com.eg

GASCO (Egyptian Natural Gas co).

Project Data

The Egyptian Natural Gas Company (GASCO) was established in March 1997, (GASCO) is one of the largest natural gas company in Egypt. Taking the lead as a pioneer company in Egypt in the field of gas transmission, distribution, marketing and processing, competing and standing on equal footings with other international counterparts. The project focus on Tanta facility.



Location Tanta, EGYPT

Field of Work Fire Fighting & Fire alarm design

Supervision YES.

NALCO-CHAMPION ECOLAB

Project Data Nalco-Champion teamed with Accenture and Microsoft to launch a digital platform that provides downstream refinery and petrochemical customers with insights to help predict and solve challenges across their assets

Location Free Zone, Alexandria, EGYPT

Field of Work (**General Consultant**)

and Project Management, Site

Supervision of Electro-Mechanical work (Fire Fighting, HVAC, Fire alarm, Plumbing, Light Current and Electrical works)

Supervision YES.



Alexandria

24 Abbas Elhalwany St, ibrahimia, Bab Sharq,
Egypt.

Tel/Fax :+2035916170
www.promep.com.eg

Cairo

127 fourth District,
5 th Settlement, new cairo
Egypt.

promep@promep.com.eg

RESIDENTIAL COMPOUND SULAIMANIA

Project Data The project comprises of the total area 10000 m², distributed on separate villas and utilities area

Location Riyadh, KSA

Field of Work Electro-Mechanical design (HVAC- Plumbing- Fire Fighting- and Electrical design)

Supervision NO.



Abdul Mohsen Al-Hokair & Sons Group Apartment Building

Project Data The project comprises of the total area is about 20000 m², distributed on distributed on separate villas and utilities area

Location Al Badiya, KSA

Field of Work Electro-Mechanical design (HVAC- Plumbing- Fire Fighting- and Electrical design).

Supervision NO.



SMOUHA TOWERS

Project Data The project is 17000 m² comprises of 4 residential building of 10 floors in additional to 2 garage basements. The first 3 floors are a commercial mall

Location Alexandria, Egypt

Field of Work Electro-Mechanical Shop drawings and submittals review and approval

Supervision NO.



Alexandria

24 Abbas Elhalwany St, Ibrahimia, Bab Sharq,
Egypt.

Tel/Fax :+2035916170
www.promep.com.eg

Cairo

127 fourth District,
5 th Settlement, new Cairo
Egypt.

promep@promep.com.eg

Residential Building

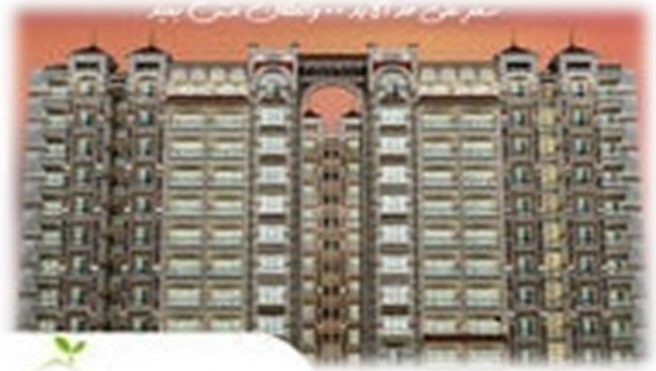
Hay Elshorouk, Smouha

Project Data The project is 2000 m² comprises of 3 residential building of 10 floors in additional to a garage basements

Location Alexandria, Egypt

Field of Work Electrical, light current, Firefighting, HVAC, Plumbing, Elevator and smart home system designs

Supervision NO.



Abdul Mohsen Al-Hokair & Sons Group Apartment Building

Project Data The project comprises of 5 residential floors, mezzanine (shops & swimming pool) and basement garage

Location Gamaha Road (1&2), Riyadh, KSA

Field of Work Electromechanical design (HVAC, Plumbing, Fire Fighting and Electrical Tender documents)

Supervision NO.



TOURESCO (Tourism & Real estate Development Co.) Olaya

Project Data The project comprises of 5 floors (8 apartments each) and basement garage

Location Olaya – Riyadh, KSA

Field of Work Electromechanical design (HVAC, Plumbing, Fire Fighting and Electrical Tender documents)

Supervision NO.



Alexandria

24 Abbas Elhalwany St, ibrahimia, Bab Sharq, Egypt.

Tel/Fax :+2035916170
www.promep.com.eg

Cairo

127 fourth District, 5 th Settlement, new cairo Egypt.

promep@promep.com.eg

Residential Building

San Stefano Building

Project Data The project comprises of 11 floors of about 800 m² for each floor, in additional to 2 basements

Location Alexandria, Egypt

Field of Work firefighting, ventilation and plumbing systems

Supervision NO.



Villa, Riyadh

Project Data The project comprises 3 floor and land scape of a villa and administration office

Location Riyadh, KSA

Field of Work Electro-Mechanical design (HVAC- Plumbing- Fire Fighting- and Electrical design)

Supervision NO.



Rest House, Riyadh

Project Data The project comprises 3 floor and land scape of a rest house and administration office

Location Riyadh, KSA

Field of Work Electromechanical design (HVAC, Plumbing, Fire Fighting and Electrical Tender documents

Supervision NO.



Alexandria

24 Abbas Elhalwany St, ibrahimia, Bab Sharq, Egypt.

Tel/Fax :+2035916170
www.promep.com.eg

Cairo

127 fourth District,
5 th Settlement, new cairo
Egypt.

promep@promep.com.eg

DORAT AL AROOS VILLA REST

Project Data The project comprises a Villa of 1200 m²

Location Jeddah, KSA

Field of Work Electro-Mechanical design (HVAC-
Plumbing- Fire Fighting-Electrical).

Supervision NO.



AL KARMA MALL & RESIDENTIAL BUILDING



Project Data The project comprises of 37 residential buildings with a floor area 23500 m², Consists of (Parking in Basement floor, MALL in Ground & First floor and 11 Floor typical residential building

Location Alexandria, Egypt

Field of Work Communications & Security systems, Electrical, Light current, HVAC, Elevators, Plumbing, Firefighting & swimming pool.

Supervision Yes.

Alexandria

24 Abbas Elhalwany St, ibrahimia, Bab Sharq,
Egypt.

Tel/Fax :+2035916170
www.promep.com.eg

Cairo

127 fourth District,
5 th Settlement, new cairo
Egypt.

promep@promep.com.eg

HELIOEYE COMPOUND, EGYPT

Project Data "HELIOEYE" is located on the Heliopolis in Egypt. The project comprises of 17 residential buildings consists of (Parking in Basement floor, MALL in Ground and 5 Floors typical residential building

Location Heliopolis, Egypt

Field of Work Communications & Security systems, Electrical, Light current, HVAC, Elevators, Plumbing, Firefighting & swimming pool.

Supervision Yes.



ELSARH PROJECT

Project Data "ElSarh" is project comprises of 3000 m² residential buildings consists of four floors and two basements

Location 5th Settlement, New Cairo, Cairo - Egypt

Field of Work Communications & Security systems, Electrical, Light current, HVAC, Elevators, Plumbing, Firefighting & swimming pool.

Supervision Yes.



Alexandria

24 Abbas Elhalwany St, ibrahimia, Bab Sharq, Egypt.

Tel/Fax :+2035916170
www.promep.com.eg

Cairo

127 fourth District,
5 th Settlement, new cairo
Egypt.

promep@promep.com.eg

MR FAISAL GHALEB VILLA

Project Data The project comprises a Villa of land area 1600 m²

Location Riyadh , KSA

Field of Work Electro-Mechanical design (HVAC- Plumbing- Fire Fighting-Electrical).

Supervision NO.



HAMED FAYEZ VILLA

Project Data The project comprises a Villa of land area 1600 m²

Location Riyadh, KSA

Field of Work Electro-Mechanical design (HVAC- Plumbing- Fire Fighting-Electrical).

Supervision NO.



PROF.DR. WALID ABDELGHAFAR

MR ABULAZIZ AI-SHEIKH VILLA

Project Data The project comprises a Villa of land area 1000 m²

Location Riyadh, KSA

Field of Work Electro-Mechanical design (HVAC- Plumbing- Fire Fighting-Electrical).

Supervision NO.



Alexandria

24 Abbas Elhalwany St, ibrahimia, Bab Sharq,
Egypt.

Tel/Fax :+2035916170
www.promep.com.eg

Cairo

127 fourth District,
5 th Settlement, new cairo
Egypt.

promep@promep.com.eg

Residential Building

EL KAYAL VILLA

Project Data The project comprises a Villa of land area 570 m²

Location KSA

Field of Work Electro-Mechanical design (HVAC- Plumbing- Fire Fighting-Swimming pool).

Supervision NO.



AVENU COMPOUND

Project Data The project comprises Villas of (Basement, Ground, first, second, third & roof floors)

Location Alexandria, Egypt.

Field of Work Electro Mechanical Design Work (HVAC, Plumbing, Firefighting, Electrical work, and light current systems)

Supervision NO.



Alexandria

24 Abbas Elhalwany St, ibrahimia, Bab Sharq,
Egypt.

Tel/Fax :+2035916170
www.promep.com.eg

Cairo

127 fourth District,
5 th Settlement, new cairo
Egypt.

promep@promep.com.eg

Residential Building

ABU-ELOULA COMPOUND

Project Data The project comprises Villas of land area 1600 m²

Location Riyadh , KSA

Field of Work Plumbing and Infra structure

Supervision NO.



EMIRATES HEIGHTS

P

PROF.



Project Data the project comprises a village in the north coast

Location North coast, Alexandria, Egypt

Field of Work HVAC and Fire fighting

Supervision NO

Alexandria

24 Abbas Elhalwany St, ibrahimia, Bab Sharq,
Egypt.

Tel/Fax :+2035916170
www.promep.com.eg

Cairo

127 fourth District,
5 th Settlement, new cairo
Egypt.

promep@promep.com.eg

JARA RESIDENCE, ALEXANDRIA, EGYPT

Project Data "JARA Residence" is located on the Alexandria in Egypt. The project comprises of 5 residential buildings consists of (Parking in Basement floor, administration area and 11 Floors typical residential building

Location Alexandria, Egypt

Field of Work Communications & Security systems, Electrical, Light current, HVAC, Elevators, Plumbing, Firefighting and smart home system.

Supervision Yes.



ZEZINIA RESIDENCE, ALEXANDRIA, EGYPT

Project Data "Zezinia Residence" is located on the Alexandria in Egypt. The project comprises of 3 residential buildings consists of (Parking in 2 Basement floors and 11 Floors typical residential building

Location Alexandria, Egypt

Field of Work HVAC, Elevators, Plumbing and Firefighting.

Supervision Yes.



Alexandria

24 Abbas Elhalwany St, ibrahimia, Bab Sharq, Egypt.

Tel/Fax :+2035916170
www.promep.com.eg

Cairo

127 fourth District, 5 th Settlement, new cairo Egypt.

promep@promep.com.eg

THE ICON RESIDENCE, CAIRO, EGYPT



Project Data "THE ICON Residence" is located on the Cairo, 5th settlement, Cairo, Egypt. The project is comprising of total area 30000 m² residential buildings consists of (Parking Hotel / walking area / swimming pool / children's play area / underground garage / clubhouse / mall with hypermarket, shops, restaurants, cafés, spa, gym & pharmacy).

Location 5th settlement, Cairo, Egypt

Field of Work Mechanical work design (HVAC, Elevators, Plumbing, Firefighting and landscape)

Supervision NO.

MASTER RESIDENCE COMPOUND

Project Data The project comprises Villas compound of total area 22600 m² consist of (Ground, first, second floors& roof)

Location Alexandria, Egypt.

Field of Work Electro Mechanical Design Work (HVAC, Plumbing, Firefighting, Electrical work, and light current systems)

Supervision NO.



Alexandria

24 Abbas Elhalwany St, ibrahimia, Bab Sharq,
Egypt.

Tel/Fax :+2035916170
www.promep.com.eg

Cairo

127 fourth District,
5 th Settlement, new cairo
Egypt.

promep@promep.com.eg

KHAMIS GARDEN COMPOUND, SAUDI ARABIA



Project Data “KHAMIS GARDEN” is located on Abha, Saudi Arabia . The project comprises of 50 residential buildings in addition to mall, shopping area, hotel, mosque and utility area. The total area is about 130000 m².

Location ABHA, Saudi Arabia.

Field of Work Design of Electro Mechanical works (Electrical, Lighting, light current HVAC, Fire Fighting, Plumbing). In addition to infrastructure of lighting, Drain, storm, irrigation, telephone and data networks

Supervision NO.

Alexandria

24 Abbas Elhalwany St, ibrahimia, Bab Sharq,
Egypt.

Tel/Fax :+2035916170
www.promep.com.eg

Cairo

127 fourth District,
5 th Settlement, new cairo
Egypt.

promep@promep.com.eg

RIFAN COMPOUND



Project Data “ RIFAN ” is located on the Cairo , The new administrative capital , Egypt. The project is comprising of residential buildings with Parking, Hotel, walking area, swimming pool, children's play area, underground garage, clubhouse, mall with hypermarket, shops, restaurants, cafés, spa, gym and pharmacy.

Location The new administrative capital, Egypt

Field of Work Design of Electro Mechanical works (Electrical, Lighting, light current HVAC, Fire Fighting, Plumbing, swimming pools). In additional to infrastructure of lighting, Drain, storm, irrigation, telephone and data networks

Supervision YES.

Alexandria

24 Abbas Elhalwany St, ibrahimia, Bab Sharq,
Egypt.

Tel/Fax :+2035916170
www.promep.com.eg

Cairo

127 fourth District,
5 th Settlement, new cairo
Egypt.

promep@promep.com.eg

KCG TEXTILE EGYPT

Project Data K.C.G Textile Egypt S.A. was established at 2007 and started production at 2008 for home textile business

Location Industrial zone, South A6. 10th of Ramadan City. Egypt.

Field of Work Solar energy 500 kW with connecting to the general electrical network.



Supervision YES

Firstgroup Co. for industrial development S.A.E

Project Data The project comprises a new factory called FIRST-STAR factory and is one of the biggest corrugated paper factory in Egypt

Location ElObour, Cairo, Egypt

Field of Work Solar energy

Supervision YES.



Pfizer Egypt

Project Data The project is located on the Almaza

Location Almaza, Cairo, Egypt.

Field of Work Solar energy.

Supervision Yes.



Alexandria

24 Abbas Elhalwany St, ibrahimia, Bab Sharq, Egypt.

Tel/Fax :+2035916170
www.promep.com.eg

Cairo

127 fourth District, 5 th Settlement, new cairo Egypt.

promep@promep.com.eg

SELENA BAY RESORT, HURGHADA RED SEA

Project Data "SELENA BAY RESORT" is located on the Red Sea Coast of Hurghada, 9 km North of the city, Hurghada considered as one of the main tourist destinations in Egypt.

Location Hurghada Red Sea, Egypt

Field of Work Solar energy for land scape area.

Supervision Yes.



PROF.DR. WALID ABDELGHAFAR

Alexandria

24 Abbas Elhalwany St, Ibrahimia, Bab Sharq,
Egypt.

Tel/Fax :+2035916170
www.promep.com.eg

Cairo

127 fourth District,
5 th Settlement, new Cairo
Egypt.

promep@promep.com.eg

Swimming Pools and Aqua

MARSEILIA ALAM EL ROUM - RESORT

Project Data Marseilia Alam ElRoum – Aqua park is a choice when it comes to enjoying the hottest vacation spot lying 290 km west of Alexandria and 524 km from Cairo.

Location Alexandria, Egypt.

Field of Work Swimming pools design and shop drawings

Supervision Yes.



MARSEILIA BEACH4

Project Data The project comprises of total area 546,000 m², located 124.5 km west of Alexandria.

Location Alexandria, Egypt.

Field of Work swimming pools and shop drawings

Supervision NO.



MARSEILIA BLUE-BAY ELEIN EL-SOKHNA

Project Data The project size is about 58 acres and it is located on the most distinctive point along the Red sea.

Location Elein ElSokhna, Egypt.

Field of Work Swimming Pools design and shop drawings

Supervision Yes.



Alexandria

24 Abbas Elhalwany St, ibrahimia, Bab Sharq, Egypt.

Tel/Fax :+2035916170
www.promep.com.eg

Cairo

127 fourth District, 5 th Settlement, new cairo Egypt.

promep@promep.com.eg

Swimming Pools and Aqua

ALEXANDRIA UNIVERSITY

Project Data The project comprises the main swimming pool in Elshatby area. .

Location Alexandria, Egypt

Field of Work Main swimming pool for the university

Supervision YES.



MINA 3 TOURISTIC VILLAGE

Project Data Mina 3 is a touristic village, it is a choice when it comes to enjoying the hottest vacation spot lying 79km Alex. Matrouh Desert Rd., North Coast, 40 villas and chalets in different shapes and areas, green areas, all units are designed with a distinctive view of the Mediterranean Sea.

Location Alexandria, Egypt.

Field of Work Swimming pools re-habitation .

Supervision YES.



Alexandria

24 Abbas Elhalwany St, ibrahimia, Bab Sharq,
Egypt.

Tel/Fax :+2035916170
www.promep.com.eg

Cairo

127 fourth District,
5 th Settlement, new cairo
Egypt.

promep@promep.com.eg

SEA VIEW NORTH COAST

Project Data Sea View is an endless journey of luxury. With the mystic blend of sea charm, elegance, beauty and art, along with 300.000 m2 beach, The fine dining, the Dancing Fountain, or the waterfalls, aren't even a fair description to start off with, includes Plateau Sports Club, Beach Jogging Track , Horizontal Swimming Pool & Plateau Aqua Park.

Location Alexandria - Matrouh Road at Sidi Abd Elrahman

Field of Work Design of swimming pools.

Supervision NO.



CASCADIA RESORT - NORTH COAST.



Project Data CASCADIA Resort is one of the biggest resorts in Egypt which contains (offices, Shops, Kids area ...etc.) .

Location North Coast, Egypt

Field of Work Mechanical Design of (Plumbing system (water supply, Drain), HVAC works, irrigation & infrastructure works).

Supervision NO

Alexandria

24 Abbas Elhalwany St, ibrahimia, Bab Sharq,
Egypt.

Tel/Fax :+2035916170
www.promep.com.eg

Cairo

127 fourth District,
5 th Settlement, new cairo
Egypt.

promep@promep.com.eg

SPORTING CLUB – Terrace Building - Alexandria. EGYPT

Project Data The project comprises a new kid's area with all required facilities.

Location Alexandria, Egypt

Field of Work Plumbing system, rain system and other Mechanical work

Supervision YES



LAGON Club, Alexandria, Egypt

Project Data The project is considered one of the biggest social and sportive clubs in Alexandria. It is renewed for new 30 years

Location Alexandria, Egypt

Field of Work Swimming pools, water treatment RO station, Electrical work, light current, lighting schemes , land scape, plumbing and firefighting systems, 7

Supervision YES.



RIO Club, Alexandria, Egypt

Project Data The project is considered one of the biggest social and sportive clubs in Alexandria

Location Alexandria, Egypt

Field of Work Swimming pools, water treatment RO station, waste water treatment station, Electrical work, light current, lighting schemes , land scape, plumbing and firefighting systems,

Supervision YES.



Alexandria

24 Abbas Elhalwany St, ibrahimia, Bab Sharq,
Egypt.

Tel/Fax :+2035916170
www.promep.com.eg

Cairo

127 fourth District,
5 th Settlement, new cairo
Egypt.

promep@promep.com.eg

COVERED SPORTING HALL IN 6TH OF OCTOBER (4500 PERSON)

Project Data It is the one of biggest sporting hall in Egypt, it prepared for the world Cup 2024 for hand ball.

Location 6th October, Egypt

Field of Work HVAC system design

Supervision YES.



Promep
PROF.DR. WALID ABDELGHAFAR

Alexandria

24 Abbas Elhalwany St, ibrahimia, Bab Sharq,
Egypt.

Tel/Fax :+2035916170
www.promep.com.eg

Cairo

127 fourth District,
5 th Settlement, new cairo
Egypt.

promep@promep.com.eg

Water and waste Water Treatment Plants

Gulf of Suez Development Company

Project Data Industrial Waste water treatment of 1500 m³ /day

Location Suez, Egypt

Field of Work Electro-Mechanical work.

Supervision YES.



Cairo Oil Refining Company (CORC), Cairo, Egypt

Project Data CORC has two main wastewater treatment plants with a capacity of 350 m³/hr each to treat wastewater and discharge their effluents into Ismailia canal. Each WWTP consists of an API separator followed by DAF unit. the company needs to rehabilitate them

Location Cairo, Egypt

Field of Work Electro-Mechanicals evaluations and rehabilitation

Supervision NO.



Alexandria

24 Abbas Elhalwany St, ibrahimia, Bab Sharq, Egypt.

Tel/Fax :+2035916170
www.promep.com.eg

Cairo

127 fourth District, 5 th Settlement, new cairo Egypt.

promep@promep.com.eg

KAHA Company for preserved food

Project Data The project is an industrial wastewater treatment plant with capacity of 400 m³/day

Location Elsharkiya, Egypt

Field of Work Electro-Mechanical Shop drawings and submittals review and approval

Supervision YES.



Sakr Group for food Industries

Project Data The project comprises the 7 factories which has employs over 1500 people.

Location Alexandria, Egypt.

Field of Work water treatment station, and industrial waste water treatment station

Supervision YES



Sidi Kirir petrochemical company

Project Data The project comprises the main sewage system and the treatment station for the administration building.

Location Alexandria, Egypt.

Field of Work The company sewage system review for the administration buildings; Design for sewage water system treatment; Design of waste water system and designs the final treatment station and its connection with the main final tank

Supervision NO



Alexandria

24 Abbas Elhalwany St, ibrahimia, Bab Sharq, Egypt.

Tel/Fax :+2035916170
www.promep.com.eg

Cairo

127 fourth District, 5 th Settlement, new cairo Egypt.

promep@promep.com.eg

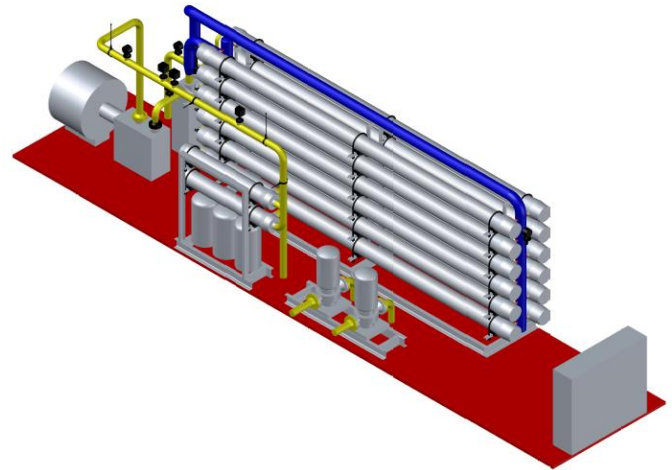
Marseilia Beach 4 Desalination Station

Project Data The project comprises a desalination station of 2500 m³/day

Location Alexandria, Egypt

Field of Work The delivery, test and commissioning of the second unit of 1000 m³/day

Supervision NO.



BEYTI Company for preserved food

Project Data The project is an industrial wastewater treatment plant with capacity of 400 m³/day

Location Elnobaria, Alexandria, Egypt

Field of Work Mechanical Shop drawings and submittals review and approval

Supervision YES .



KCG Textile Egypt

Project Data K.C.G Textile Egypt S.A. was established at 2007 and started production at 2008 for home textile business

Location Industrial zone, South A6. 10th of Ramadan City. Egypt.

Field of Work Industrial waste water treatment

Supervision YES.



Alexandria

24 Abbas Elhalwany St, Ibrahimia, Bab Sharq, Egypt.

Tel/Fax : +2035916170
www.promep.com.eg

Cairo

127 fourth District, 5th Settlement, New Cairo, Egypt.

promep@promep.com.eg

SELENA BAY RESORT, HURGHADA RED SEA

Project Data "SELENA BAY RESORT" is located on the Red Sea Coast of Hurghada, 9 km North of the city, Hurghada considered as one of the main tourist destinations in Egypt.

Location Hurghada Red Sea, Egypt

Field of Work waste water treatment station, Desalination system.

Supervision Yes.



MARSEILIA BEACH4

Project Data The project comprises of total area 546,000 m², located 124.5 km west of Alexandria. The water desalination unit is 1000 m³/day RO system

Location Alexandria, Egypt.

Field of Work The delivery and check out system design, installation, testing and commissioning

Supervision NO.



Alexandria

24 Abbas Elhalwany St, ibrahimia, Bab Sharq,
Egypt.

Tel/Fax :+2035916170
www.promep.com.eg

Cairo

127 fourth District,
5 th Settlement, new cairo
Egypt.

promep@promep.com.eg

BIOGENERIC PHARMA S.A.E

Project Data Biogeneric Pharma S.A.E (BGP) is a biopharmaceutical manufacturing company specialized in the development, production and marketing of “off Patent” biotech drugs to improve the quality of lives.

BGP has established platforms of technologies in genetic engineering therapeutic proteins by using its and collaborative advanced proprietary biochemistry, molecular & cell biology to challenge life-threatening diseases such as Hepatitis C and Cancer.

Location 10th Ramadan City, Egypt.

Field of Work (**General Consultant**) and design of (Electro-Mechanical work) Communications & Security systems, Electrical, Light current, HVAC, Elevators, Plumbing, water treatment, steam system, pure media system, air system and storing system in additional to project general consultant.

Supervision YES.



ULTIMATE PHARMA FACTORY

Project Data The project comprises of total area 17000 m2 which is specialized in production of pharmaceutical sterile products

Location Alexandria, Egypt.

Field of Work design of Communications & Security systems, Electrical, Light current, HVAC, Elevators, Plumbing, water treatment, steam system, pure media system, air system and storing system in additional to project management.

Supervision YES.



Alexandria

24 Abbas Elhalwany St, ibrahimia, Bab Sharq,
Egypt.

Tel/Fax :+2035916170
www.promep.com.eg

Cairo

127 fourth District,
5 th Settlement, new cairo
Egypt.

promep@promep.com.eg

Water and industrial waste Water Treatment Plants

FIRSTGROUP CO. FOR INDUSTRIAL DEVELOPMENT S.A.E

Project Data The project comprises a new factory called FIRST-STAR factory and is one of the biggest corrugated paper factory in Egypt

Location ElObour, Cairo, Egypt

Field of Work (General Consultant) and Energy Management of the group including 7 factories, Industrial waste water treatment

Supervision YES.



RAYHANA COMPOUND

Project Data The project comprises of 23 villa with swimming pools and utilities area

Location Alexandria, Egypt

Field of Work Infra-structure of waste water and electrical system

Supervision YES.



Alexandria

24 Abbas Elhalwany St, ibrahimia, Bab Sharq, Egypt.

Tel/Fax :+2035916170
www.promep.com.eg

Cairo

127 fourth District, 5 th Settlement, new cairo Egypt.

promep@promep.com.eg

PHARMA BEACH RESORT, KAFR ELSHEIKH, EGYPT

Project Data “Pharma beach RESORT” is located on the north Coast, Baltim, Kafr Elsheikh and considered as one of the main tourist destinations in Kafr Elsheikh. The total area is about 300, 000 m²



Location Baltim, Kafr Elsheikh, Egypt

Field of Work Electrical power network, Lighting network, Data network, Telephones network, Water supply network, Sewage network, Irrigation system, Firefighting system, Waste water treatment station, Desalination water station, and Electrical power generation station.

Supervision YES.

NILE PACK CO.

Project Data The project comprises a new factory called Perfect-Pack factory for corrugated paper and painting in Egypt

Location 6th of October, Cairo, Egypt

Field of Work (**General Consultant**) and ProMEP design Scope is Electro-Mechanical design of lighting, power, telephone, data, CCTV, fire alarm, access doors, steam lines, air lines, boilers, and waste water treatment station. Also machining work, utilities, starting and commissioning of the production lines.



Supervision YES

Alexandria

24 Abbas Elhalwany St, ibrahimia, Bab Sharq,
Egypt.

Tel/Fax :+2035916170
www.promep.com.eg

Cairo

127 fourth District,
5 th Settlement, new cairo
Egypt.

promep@promep.com.eg

IPPCO FACTORY

Project Data The project comprises a new factory for eggs production

Location Borg ElArab, Alexandria, Egypt

Field of Work. **(General Consultant)** and ProMEP design Scope is Electro-Mechanical design of lighting, power, telephone, data, CCTV, fire alarm, access doors, steam lines, and air lines. ProMEP management scope is the turn key project includes civil work, Structure work, Electro-Mechanical work, Machining work, utilities, starting and commissioning of the production lines.

Supervision Yes.



PROF.DR. WALID ABDELGHAFAR

Alexandria

24 Abbas Elhalwany St, ibrahimia, Bab Sharq,
Egypt.

Tel/Fax :+2035916170
www.promep.com.eg

Cairo

127 fourth District,
5 th Settlement, new cairo
Egypt.

promep@promep.com.eg

Sample of Design Review and Value Engineering Projects

→ SMOUHA Medical Center, Alexandria – Egypt

The client is SAMA group CO. LTD

The consultant is Integrated Consultation Company ICC, Egypt.

→ Alexandria Global Hospital, Smouha, Alexandria, Egypt

The client is Global Hospital CO. LTD

The consultant is Engineering Consultants Group ECG, Egypt.

→ HAYAT Alex, Alexandria, Egypt

The client is Marseilia CO. LTD

The consultant is Engineering Consultants Group ECG, Egypt

→ Al Fayoum International Hospital, Al Fayoum , Egypt

The client is Al Fayoum Company for Medical Services

The General consultant is NOOR Consultants Engineering & Architecture

The Electro-Mechanical consultant is IDA Engineering

→ Elit international Hospital, Ring Road, Downtown, Alexandria, Egypt

The client is Elit Hospital CO. LTD

The consultant is The United Group for Consulting Engineering UGCE, Alexandria, Egypt.

→ El Katameya Clinic Hospital , 5th Settlement, New Cairo, Cairo - Egypt

The client is El Katameya Clinic hospital company

The consultant is BECT, Cairo, Egypt.

Alexandria

24 Abbas Elhalwany St, ibrahimia, Bab Sharq,
Egypt.

Tel/Fax :+2035916170
www.promep.com.eg

Cairo

127 fourth District,
5 th Settlement, new cairo
Egypt.

promep@promep.com.eg

Sample of Engineering studies Projects

- **Egyptian Company for Trading & Industry- Alexandria, Egypt**
Engineering and feasibility study of converting diesel fuel system for the steel heating furnaces to natural gas fuel system

- **Integrated Car Service Centre -Elkhartoom- Sudan**
Feasibility study and design the integrated Car Service Centre to deal with 5 brands in 10000 m2 including the management system and the center organization chart.

- **Kobusch Packaging- Borg ElArab – Alexandria -Egypt**
Evaluate the present energy situation and the best way to obtain the power supply.

- **Packline Company- ElObour- Cairo- Egypt**
Planning of tractor assembly line

- **Arab Company for Medical Services- Gharbia- Egypt**
Design of Children Incubators & Children Heating Device

- **New industrial Complex at El Nahda Area –Elamria- Alexandria**
Design of the Natural Gas Network system

- **Alexandria 2032: General Strategic Plan for the City of Alexandria, Egypt**
Responsible for the natural gas network in the project with AS&P International GmbH, Frankfurt am Main, as a local consultant

Alexandria

24 Abbas Elhalwany St, ibrahimia, Bab Sharq,
Egypt.

Tel/Fax :+2035916170
www.promep.com.eg

Cairo

127 fourth District,
5 th Settlement, new cairo
Egypt.

promep@promep.com.eg

- **Egyptian starch and Glucose Manufacturing Company**
Development of the processing Methods of the Egyptian starch and Glucose Manufacturing Company for the production of High quality starch Derivatives NRC, STC.Sub project

- **Abu-Qir for fertilizers and Chemical industries**
Recovery of Urea and Derivatives from wastewater in Abu-Qir for fertilizers and Chemical industries, NRC, STC Subproject

- **ElNasr Steel pipes and Fittings Company-Galvanization plant in Ein-Helwan**
Design of industrial wastewater treatment system for ElNasr Steel pipes and Fittings Company-Galvanization plant in Ein-Helwan

- **HORSE Rice Milling Co. Evaluation in Elobour City.**
Factor evaluation including all equipment's and utility systems and operation control systems.

- **ELSALAM Company – HORSE Export& Import Company- Evaluation in Elobour City.**
Factor evaluation including all equipment's and utility systems and operation control systems.

- **The NILE ENGINEERING Company (EAMCO)**
PLES zrt Factory for wheels in HUNGARY evaluation to be transferred to EAMCO in Egypt.
Machines and dies performance evaluation with recommended new machines and utilities for the factory better performance in EGYPT after transferring.

- **IBN ELBALAD Fire Report**
Building firefighting system evaluation report.

- **PALMA RESORT- ELMONTAZAH**
Hotel Building firefighting system evaluation report.

Alexandria

24 Abbas Elhalwany St, ibrahimia, Bab Sharq,
Egypt.

Tel/Fax :+2035916170
www.promep.com.eg

Cairo

127 fourth District,
5 th Settlement, new cairo
Egypt.

promep@promep.com.eg

Project Management Projects

→ Ultimate Pharma Factory, Alexandria – Egypt

The project comprises of total area 17000 m2 which is specialized in production of pharmaceutical sterile products

→ First-Star Co. for industrial development S.A.E , AlOubour, Cairo, Egypt

The project comprises of total area m2 of a new factory for First Co. for industrial development S.A.E called FIRST CARTON 2; producing ton/month of corrugated paper. ProMEP design Scope is Electro-Mechanical design and supervision (lighting, power, telephone, data, CCTV, fire alarm, and access doors). ProMEP management scope is the turn key project includes Civil work, Structure work, Electro-Mechanical work, Machining work, starting and commissioning of the production lines.

→ LEVEN Factory, Alexandria – Egypt

The project comprises of total area 2800 m2 which is specialized in production of Cream, Hair gel, and shampoo and hair oil.

→ EGYPTSAT Factory , AlOubour, Cairo, Egypt

The project comprises of total area 5000 m2 of a new factory for steel structure. ProMEP design Scope is Electro-Mechanical design and supervision (lighting, power, telephone, data, CCTV, fire alarm, and access doors). ProMEP management scope is the turn key project includes Civil work, Structure work, Electro-Mechanical work, Machining work, starting and commissioning of the production lines.

→ IPPCO Factory , Borg Alarab , Alexandria, Egypt

→ The project comprises of total area 4000 m2 of a new factory for eggs. ProMEP design Scope is Electro-Mechanical design and supervision .ProMEP management scope is the turn key project includes Civil work, Structure work, Electro-Mechanical work, Machining work, starting and commissioning of the production lines.

Alexandria

24 Abbas Elhalwany St, ibrahimia, Bab Sharq,
Egypt.

Tel/Fax :+2035916170
www.promep.com.eg

Cairo

127 fourth District,
5 th Settlement, new cairo
Egypt.

promep@promep.com.eg

General Manger

PROF.DR. WALID ABDELGHAFAR

PROF. DR. ABDELGHAFAR SUMMARY OF CAPABILITIES:

Prof. Dr. Abdelghaffar is a mechanical Engineer with 22 years of experience involved in the most iconic projects in different industries in Egypt and Middle East, his wide experience covers industry, Electro-Mechanical systems and Maritime industry.

Prof. Dr. Abdelghafar possess strong knowledge of mechanical systems, marine and port services design and upgrading, maritime studies, renewable energy, maintenance planning and techniques, project management, industrial safety, automatic fire fighting and alarm systems, HVAC, pump stations, piping & pipeline systems, gas turbines, automotive industry, medical gas systems, plumbing systems, gas and water networks.

Prof. Dr. Abdelghaffar has experience of both industrial and research environments. Research and consultation conducted shows a capacity to deal with novel problems and find an effective solution for them, with understanding of the implications of the solution formed.

PROF. DR. ABDELGHAFAR REGISTRATIONS/AFFILIATIONS:

- Associate Professor, Faculty of Engineering, Alexandria University, EGYPT
- Member of the Egyptian Engineers Syndicate
- Certified Mechanical Consultant - Egyptian Syndicate of Engineers
- Member of SAE, USA.
- Previous Board Member of Egyptian Engineers Syndicate, Alexandria, EGYPT
- Previous Consultant for Minister of Housing, Utilities and Urban Development, EGYPT
- Previous Consultant for Minister of Transportation, EGYPT
- Previous Head of the Suez Canal Region Development Project Technical Secretariat
- Previous General Secretary for National Committee for trade facilitation in EGYPT
- Previous Member of Supreme Council for ports in EGYPT
- Previous Member of Alexandria Port board in EGYPT
- Previous Member of General Authority for Economic Zone North-West Gulf of Suez (SEZone) board in EGYPT.
- Previous Consultant of Alexandria University Hospitals

Alexandria

24 Abbas Elhalwany St, ibrahimia, Bab Sharq,
Egypt.

Tel/Fax :+2035916170
www.promep.com.eg

Cairo

127 fourth District,
5 th Settlement, new cairo
Egypt.

promep@promep.com.eg

Our clients



Alexandria

24 Abbas Elhalwany St, ibrahimia, Bab Sharq,
Egypt.

Tel/Fax :+2035916170
www.promep.com.eg

Cairo

127 fourth District,
5 th Settlement, new cairo
Egypt.

promep@promep.com.eg



الجامعة السعودية الإلكترونية
Saudi Electronic University



PROF.DR. WALID ABDELGHAFAR



Alexandria

24 Abbas Elhalwany St, Ibrahimia, Bab Sharq,
Egypt.

Tel/Fax : +2035916170
www.promep.com.eg

Cairo

127 fourth District,
5 th Settlement, new Cairo
Egypt.

promep@promep.com.eg



الشركة المصرية لتصنيع المواد الغذائية (ش.م.ع)
Egyptian Co. For Food Industries (S.A.E)



One Bank Unlimited Choices



Alexandria

24 Abbas Elhalwany St, ibrahimia, Bab Sharq,
Egypt.

Tel/Fax :+2035916170
www.promep.com.eg

Cairo

127 fourth District,
5 th Settlement, new cairo
Egypt.

promep@promep.com.eg



SELENA BAY
SEE RED SEA

h Packaging Egypt



KOICA
Korea International
Cooperation Agency



WALID ABDELGHAFAR

MARS

Alexandria

24 Abbas Elhalwany St, ibrahimia, Bab Sharq,
Egypt.

Tel/Fax :+2035916170
www.promep.com.eg

Cairo

127 fourth District,
5 th Settlement, new cairo
Egypt.

promep@promep.com.eg



THE FARM



Alexandria Co. for Petroleum Additives



YKK®



Alexandria

24 Abbas Elhalwany St, ibrahimia, Bab Sharq,
Egypt.

Tel/Fax : +2035916170
www.promep.com.eg

Cairo

127 fourth District,
5 th Settlement, new cairo
Egypt.

promep@promep.com.eg



ABDELG



Alexandria

24 Abbas Elhalwany St, ibrahimia, Bab Sharq,
Egypt.

Tel/Fax :+2035916170
www.promep.com.eg

Cairo

127 fourth District,
5 th Settlement, new cairo
Egypt.

promep@promep.com.eg



شركة المياه الوطنية
National Water Company



ECOLAB®



PROPOSED DESIGN CONCEPT

IN

#00319 ZAHRAA AL MAADI PLAZA, EGYPT



**ELSEWEDY
ELECTRIC**



Al Andalous
MEDICAL COMPANY



Alexandria

24 Abbas Elhalwany St, ibrahimia, Bab Sharq,
Egypt.

Tel/Fax :+2035916170
www.promep.com.eg

Cairo

127 fourth District,
5 th Settlement, new cairo
Egypt.

promep@promep.com.eg



PROF.DR. WALID ABDELGHAFAR

Alexandria

24 Abbas Elhalwany St, ibrahimia, Bab Sharq,
Egypt.

Tel/Fax :+2035916170
www.promep.com.eg

Cairo

127 fourth District,
5 th Settlement, new cairo
Egypt.

promep@promep.com.eg